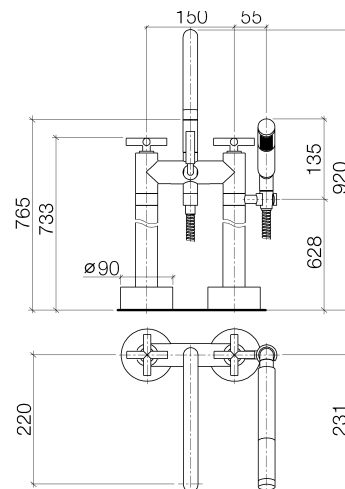




Product specifications

- **8 5/8" projection**
- Swivel spout 180°
- M 22 x 1 aerator – female thread
- Back flow preventer in shower outlet
- 1/2" ceramic disc cartridge
- Diverter
- Hand shower to be mounted on right pillar
- Hand shower with descaling system and back flow preventer
- 3/8" x 1/2" x 49 1/4" shower hose with rotating hose connector
- Riser flange diameter 3 1/2"
- Total height 36 1/4"
- Height to aerator/spout outlet 30 1/8"
- Riser height 24 3/4"
- Center to center 5 7/8"
- Hand shower water flow rate limited to max. 2.5 gpm
- Internal back flow preventer





Spout projections 10 1/4" or 11 7/8" on request through special production.

Accessories available for mounting on left riser (or exchange shower bracket for wall bracket)

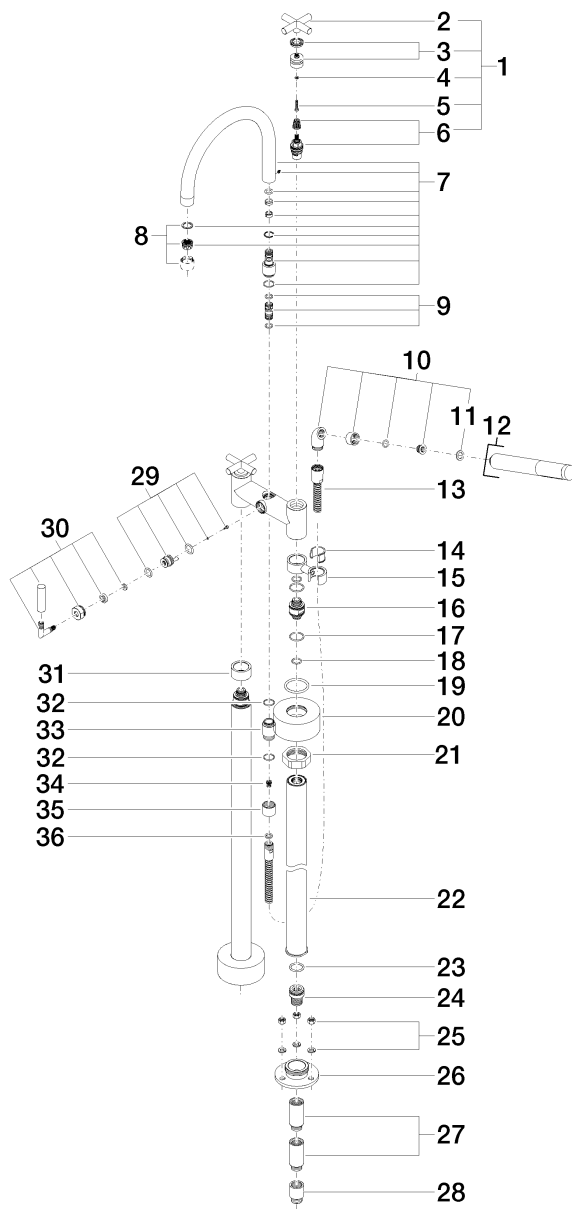
Surfaces

- chrome 25943892-00
- chrome 25943892-00
- matt platinum 25943892-06
- matt platinum 25943892-06
- platinum 25943892-08
- platinum 25943892-08
- matt white 25943892-10
- matt white 25943892-10
- matt black 25943892-33
- matt black 25943892-33

Accessories required

- Rough for floor mounted spout/mixer; 35944970
- Rough for floor mounted spout/mixer; 35944970

Exploded assembly drawing



Order quantity

No.	Article number	Name	Installation quantity
1	04208901000ff	handle	2
2	092089010ff	handle	2
3	90121200700ff	base	2
4	09301102990	disc	2
5	09303007590	screw	2
6	9090031310090	top	2
7	90282222200ff	spout	1
8	90230102400ff	aerator	1
9	9021100110090	diverter	1
10	04240418900ff	nipple	1
11	09142000290	seal	1
12	28010979ff0010	shower	1
13	093002072ff	hose	1
14	09184003590	sleeve	1
15	04281002901ff	holder	1
16	09290502190	nipple	2
17	09141011290	seal	4
18	09141005590	seal	4
19	09141004190	seal	2
20	092789025ff	rosette	2
21	092330040-07	nut	2
22	04282200900ff	connection	2
23	09141008190	seal	2
24	092403094-07	nipple	2
25	0423100230090	fixing set	1
26	093011130-07	connection	2
27	0924030811090	extension	4
28	09240308090	extension	2
29	9015010050090	insert	1

Tara. Two-hole tub mixer with hand shower set, on riser, for floor-mounting installation

Article number: 25943892



30	90182002500ff	diverter	1
31	092810028ff	sleeve	1
32	09141003290	seal	1
33	092403121ff	nipple	1
34	09230113190	back-flow preventer	1
35	092102143ff	sleeve	1
36	09142002690	seal	1

