



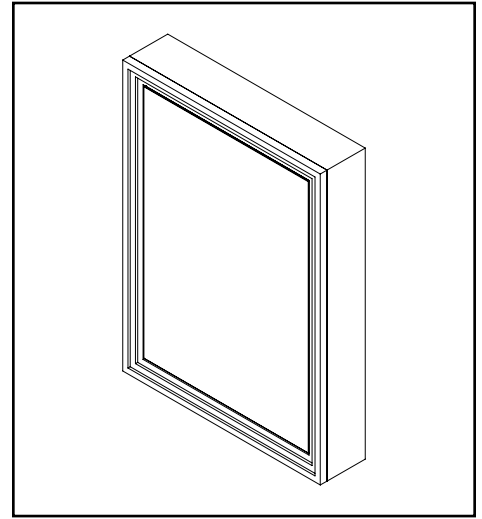
**PRODUCT DESCRIPTION**

9730 Series 22" Medicine Cabinet

- Available in White (WH) Finish
- Solid Wood Frame
- Surface Mounted
- Reversible Door
- Three Adjustable Tempered Glass Shelves
- Mirrored Interior

**PRODUCT MEASUREMENTS**

- Width: 22"
- Depth: 5"
- Height: 30"



**RECOMMENDED ACCESSORIES**

- 5254-WHT Vanity Set
- 5360-WHT Vanity Set

**ROUGHING-IN DIMENSIONS**

Please Note: All drawings contain the necessary measurements which are subject to standard industry tolerances. They are stated in inches and are non-binding. Exact measurements, in particular for customized installation scenarios, can only be taken from the finished product.

CL = Center Line

