

**FEATURES:**

This product meets and exceeds the following codes and standards:

- ASME A112.18.1-2005/CSAB125.1-2005
- See catalog for decorative ring selection
- Replacement Cartridge: No. 18.30.112
- Two 3/4" inlets, one 3/4" outlet & two 1/2" outlets

## SPECIFICATIONS

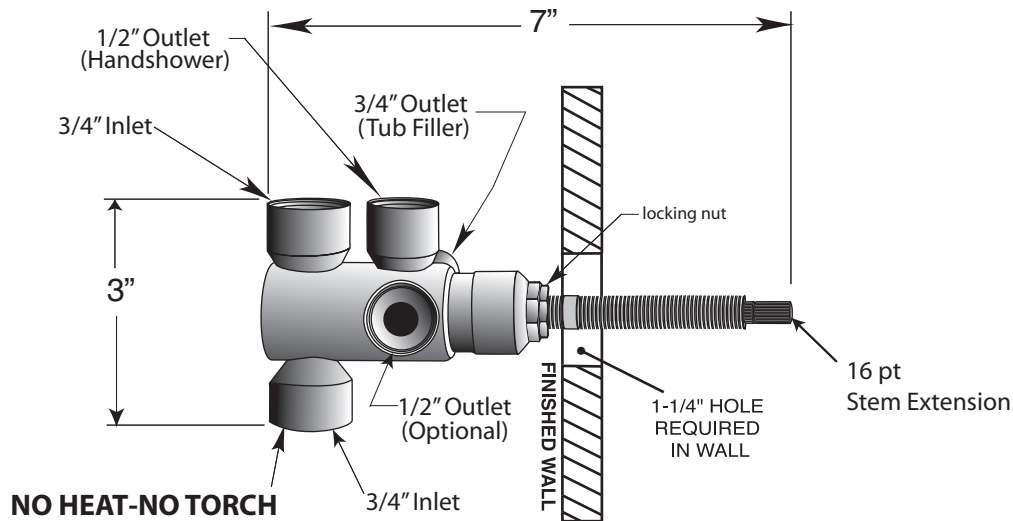
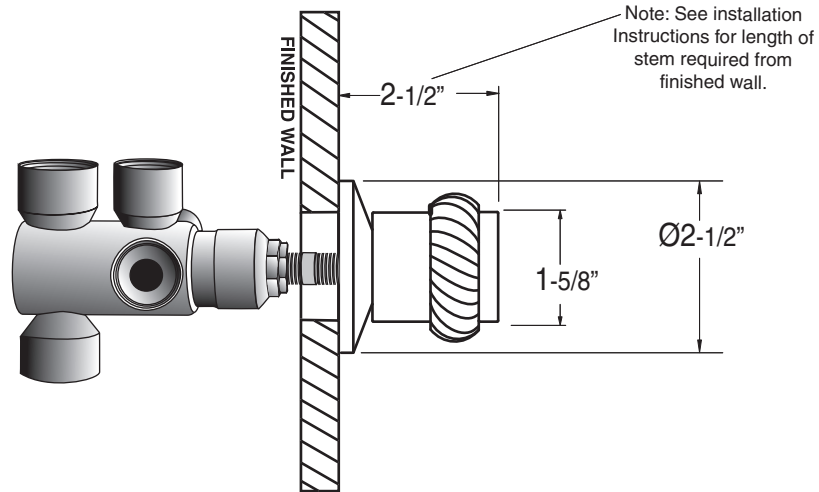
5 Port In-Wall Diverter

Valve & Trim

1.001286

Seville Handle

(1.001286T Trim Only)



Note: Measurements are subject to change or cancellation. No responsibility is assumed for use of superseded or voided pages.