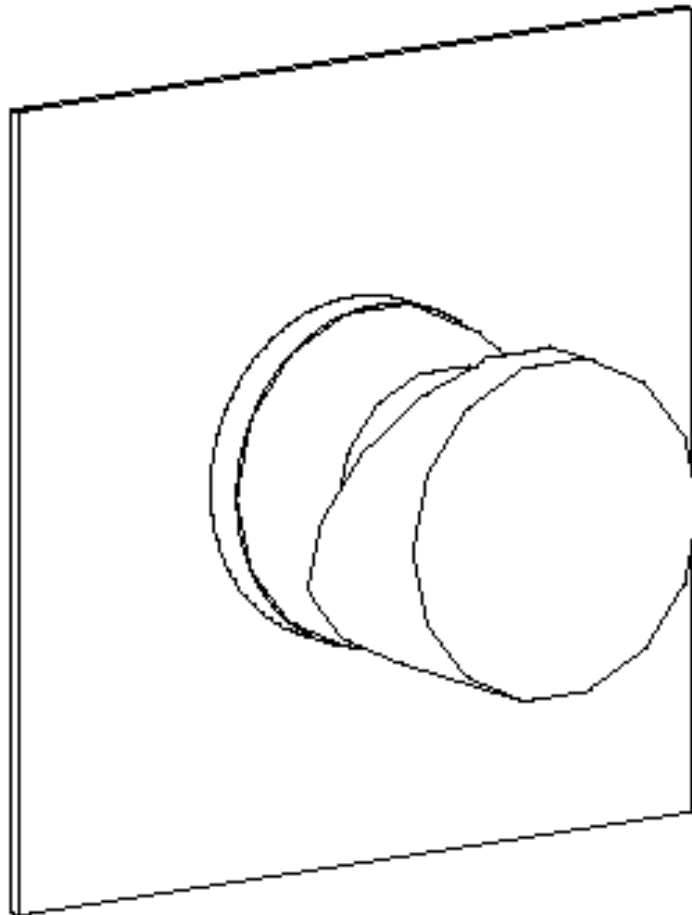


ARTOS®

www.artos-westover.com

Installation Guide

Pressure Balance Mixer with Stops F304-3

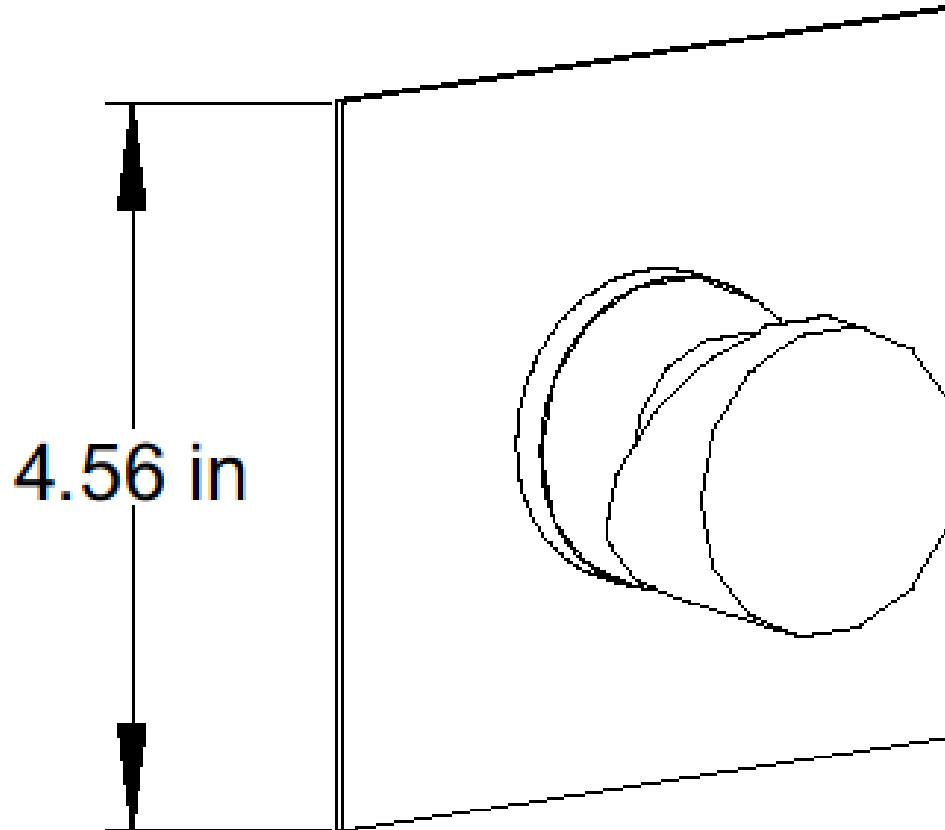


30430411

This publication is for illustrative purposes only and we reserve the right to change details at anytime as deemed necessary.

(fig A)

DIMENSIONS



SPECIFICATIONS

Recommended flow pressure between 15 and 75 psi. Above 90 psi it may be necessary to install a pressure reducer. Maximum operating temperature 176°F

Conforms to ASSE standards

PRIOR TO INSTALLATION

- Read through all of these instructions
- This product is part of a custom shower or bath system. Carefully plan the installation before beginning. Decide location and spacing of all components in the system
- Observe all local building and plumbing codes and shut off the main water supply before commencing pipe work
- If soldering close to the valve, remove the cartridge to avoid damage from the heat.

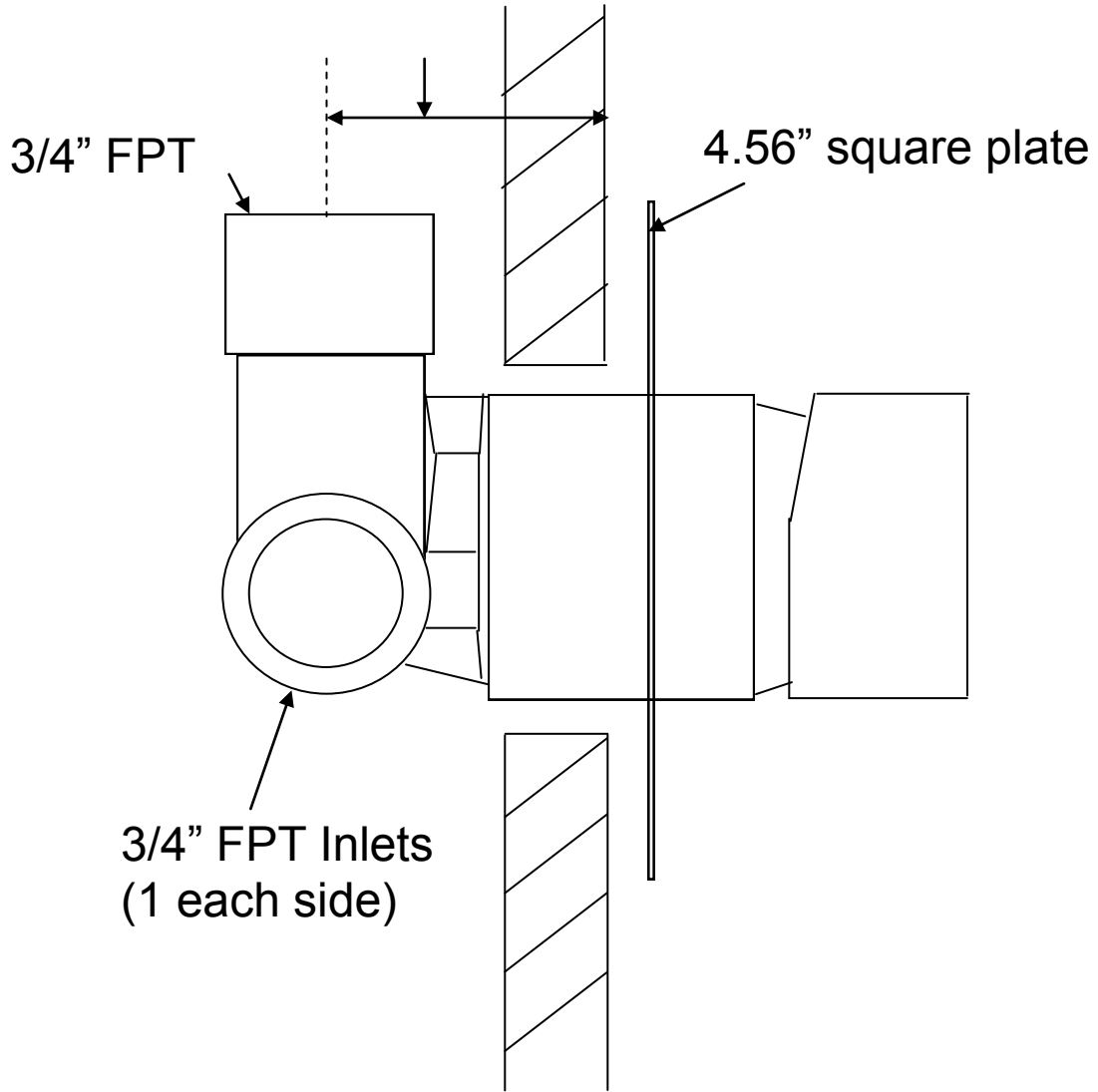
INSTALL THE VALVE

- Determine the position of the finished wall surface.
- Connect hot and cold supply pipes to the valve observing the minimum and maximum dimensions from the pipe center to the finished wall surface. (see Fig B) Please note: If the outlet is facing upwards, connect hot to the left (viewed from the front). If the outlet is facing down, connect hot to the right.
- Ensure that the valve is upright and level then secure the supply pipes to the studwork.
- Connect pipe from the shower head or tub spout to the mixed water outlet
- Provide a hole (min 2.25", max 3.25") in the rough wall material for the plaster guard

(fig B)

INSTALLATION DIMENSIONS

Centerline of pipe work
to finished wall
Min 1.5" Max 2.25"



COMPLETE THE INSTALLATION

- Check the installation to ensure that there are no leaks
- Finish the wall surface
- Install the escutcheon—use either a thin self adhesive foam tape or clear silicone to seal between the escutcheon and the wall
- Install the handle and tighten the set screw

CARE & MAINTENANCE

For best results, keep the following in mind to retain the high quality finish of your *ARTOS* faucet:

- Use a soft, dampened sponge or cloth. On no account should you use an abrasive material such as a brush, scouring pad or steel wool to clean surfaces.
- Test your cleaning agent solution on an inconspicuous area before applying to the entire faucet.
- Wipe surfaces clean and rinse completely with water immediately after applying cleaning agent.
- An ideal cleaning technique is to rinse faucet thoroughly and blot dry any water from the surface after each use.

LIMITED LIFETIME WARRANTY

ARTOS faucets are guaranteed for life against leaks and finishing defects for as long as the original purchaser owns it.

Damage caused by accident, misuse, abuse, improper installation, improper cleaning or alteration will void the warranty. This warranty does not cover replacement parts where damage is caused by normal wear and tear. Westover, Inc is not responsible for labor charges, installation or other incidental or consequential costs. Proof of purchase must be provided with all claims.

PLEASE REGISTER THIS PRODUCT ONLINE AT WWW.ARTOS-WESTOVER.COM

Item No
Serial No

30430411