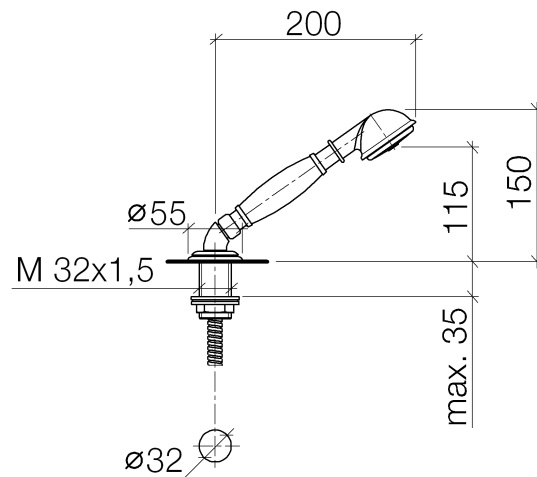




Product specifications

- Hand shower with back flow preventer
- Metal shower hose 88 5/8", consisting of 1 pc. 19 5/8" chrome plated metal hose and 1 pc. 68 7/8" flex line
- Flange diameter 2 1/8"
- 35° x 1/2" x 1/2" angle
- Shower hose guide
- Water flow rate limited to max. 2.38 gpm
(Two part hose design allows for servicing of finished hose from deck surface)

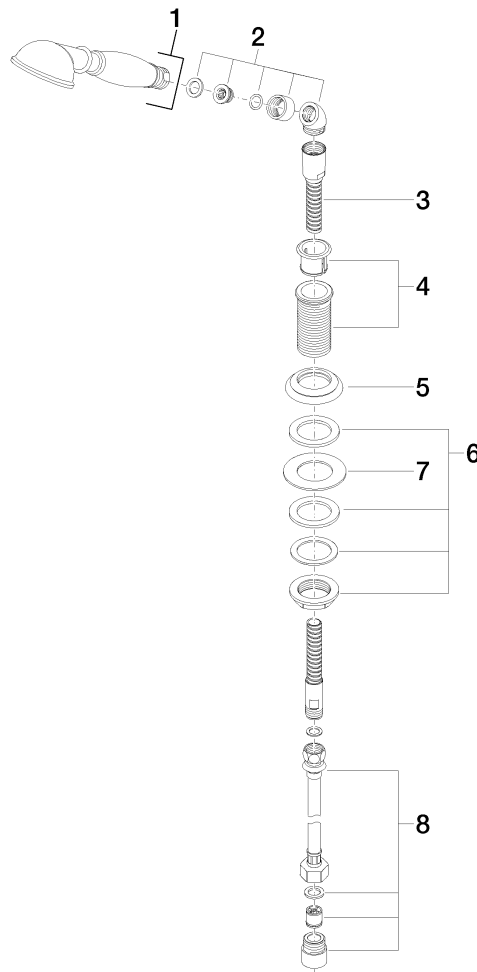




Surfaces

- chrome 27703360-00
- chrome 27703360-00
- matt platinum 27703360-06
- matt platinum 27703360-06
- platinum 27703360-08
- platinum 27703360-08
- brass 27703360-09
- brass 27703360-09

Exploded assembly drawing



Order quantity

No.	Article number	Name	Installation quantity
1	28002970ff	shower	1
2	28411970ff	angle	1
3	28322970ff	hose	1
4	04240401800ff	sleeve	1
5	092735002ff	rosette	1
6	0423100090090	fixing set	1
7	09301106090	disc	1
8	1250597090	hose	1

