

FEATURES

- 17" round x 6-1/4" deep
- Vitreous china
- SanaGloss® ceramic glaze - SanaGloss glaze prevents debris and mold from sticking to ceramic surfaces, leading to fewer chemicals and less water in cleaning
- Mounting assembly complete with installation template and mounting screw set

MODELS

- LT523G
With SanaGloss glazing (#01, #03, #11, #12)
- LT523
Without SanaGloss glazing (#51 only)



SanaGloss

COLORS/FINISHES

- Standard
 - #01 Cotton
 - #03 Bone
 - #11 Colonial White
 - #12 Sedona Beige
 - #51 Ebony

PRODUCT SPECIFICATION

This vessel lavatory shall be made of vitreous china. Lavatory shall be 17" in diameter. Product shall be without overflow and lavatory shall include mounting assembly. TOTO model number LT523G shall have SanaGloss ceramic glaze. Lavatory shall be TOTO Model LT523_____.

CODES/STANDARDS

- Meets and exceeds ASME A112.19.2/CSA B45.1
- Certifications: IAPMO(cUPC), State of Massachusetts, City of Los Angeles, and others
- Code compliance: UPC, IPC, NSPC, NPC Canada, and others

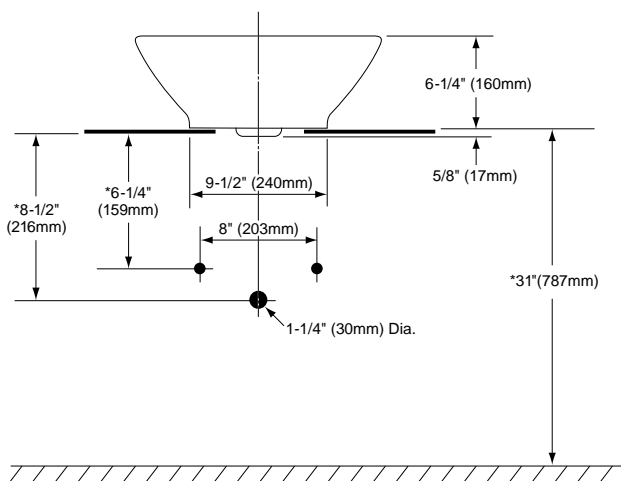
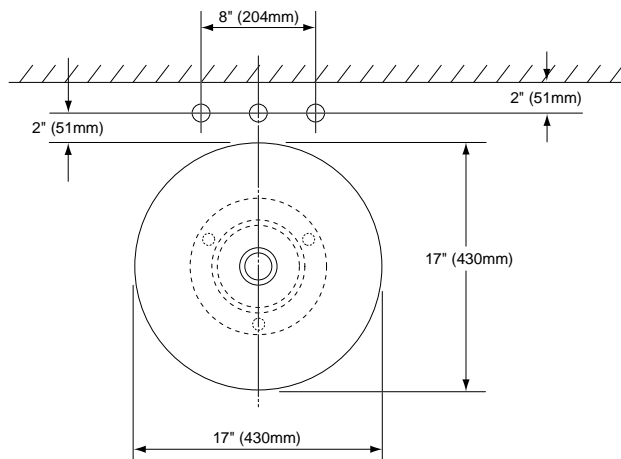


LT523(G)

Larissa® Vessel Lavatory

SPECIFICATIONS

- Waste 1-1/4" O.D.
- Size 17" Diameter round
- Basin 17" W x 6-1/4" D
- Warranty One Year Limited Warranty
- Material Vitreous china
- Shipping Weight 21 lbs.
- Shipping Dimensions 18" W x 8" H x 18" L



*Suggested Dimensions

TOTO®

These dimensions and specifications are subject to change without notice

Ph: (888) 295-8134 | Fax: (800) 699-4889 | www.totousa.com

#SS-00286 v.02

Printed in U.S.A. | © TOTO LTD. 07/10 | Printed on recycled paper ♻️