



Swing

Design by Lievore, Altherr, Molina

VIBIA
LIGHT IS CREATION

ASSEMBLY INSTRUCTIONS

CAUTION : TO AVOID POSSIBLE ELECTRICAL SHOCK, MAKE CERTAIN ELECTRICITY IS SHUT OFF AT MAIN PANEL BEFORE WIRING.

All wiring must be in accordance with national and local electrical codes. If you are not familiar with wiring, you should use a qualified electrician. This product must be installed in accordance with the applicable installation code by a person familiar with the construction and operation of the product and the hazards involved. Ce produit doit être installé selon le code d'installation pertinent, par une personne qui connaît bien le produit et son fonctionnement ainsi que les risques inhérents.

SUPPLIED MATERIAL

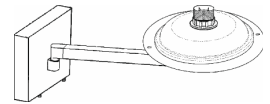
1.



2.



3.



	0513
1 Shade screws	2 un.
2 Shade	1 un.
3 Lamp structure	1 un.

TECHNICAL SPECIFICATIONS

0513. Net Weight 1 Kg



1 x A19 Med. Base 120V 60W Max.



1 x LED 120V 1W 350mA

Opción



1 x E26 Med. Compact Fluorescent 120V 11W



1 x LED 120V 1W 350mA



IP20



Class I. Product with an additional protection cable (grounds).

IP20

Product protected against solid object as big as or bigger than 12 mm. No protection against water.



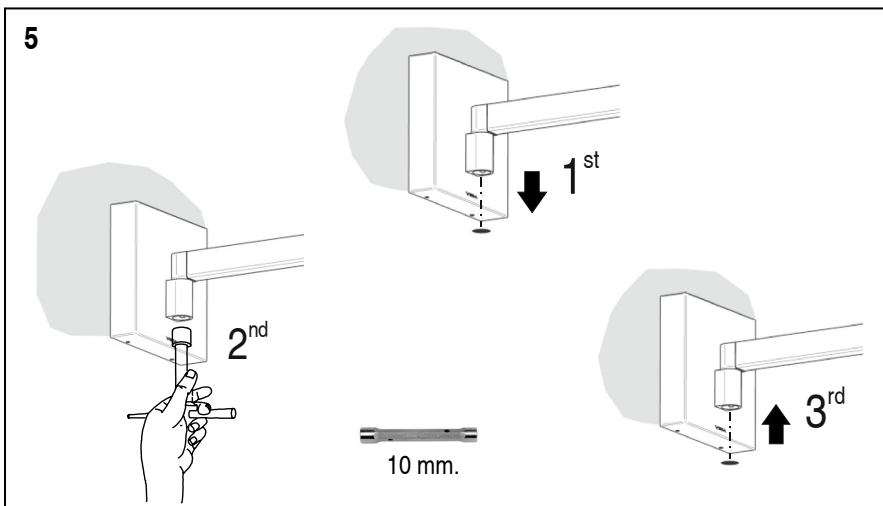
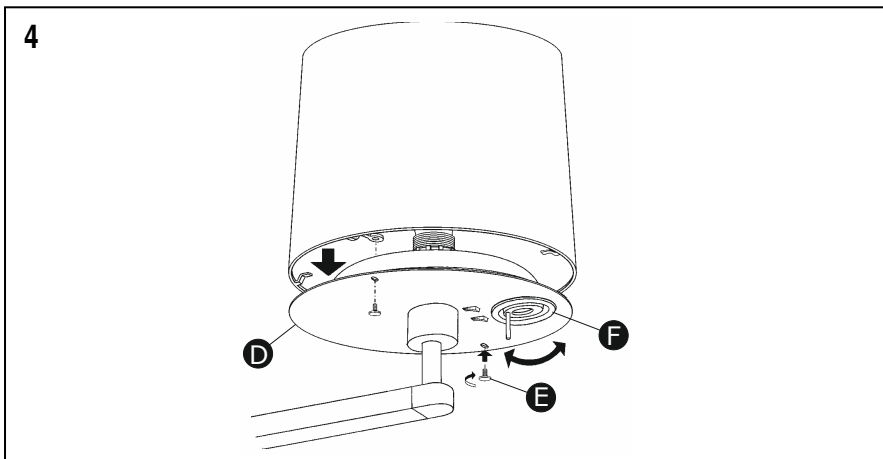
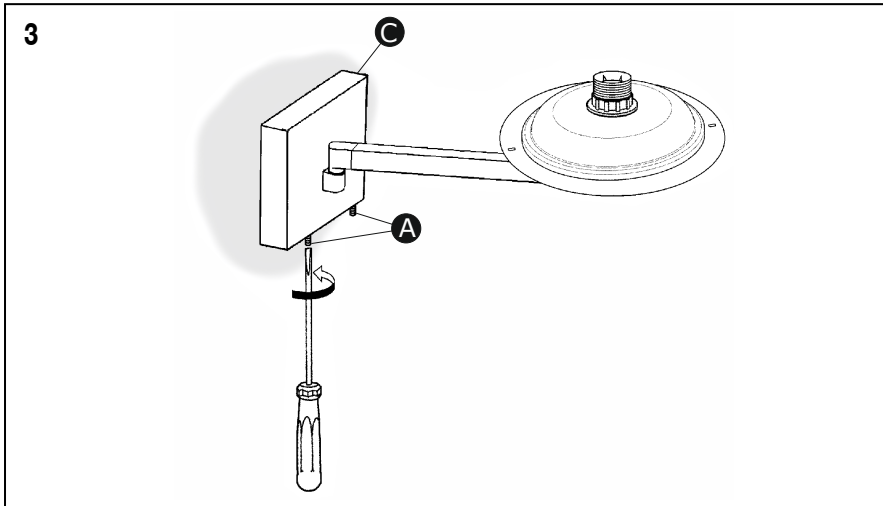
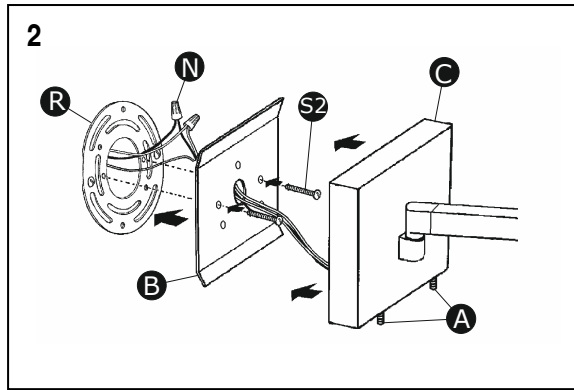
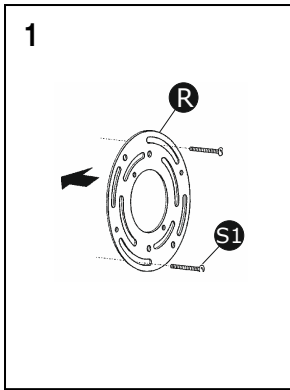
Product that CAN be in contact with normally-flammable materials (wood or others).

Caution

Before assembling and installing this product, carefully read the following:

- Switch of the mains before installing the lamp.
- Never use a bulb with a wattage exceeding the recommended one. Always use a bulb with the recommended wattage or lower.
- To install on the wall, always choose the most adequate fixing tools for the ceiling material.
- This lamp is for indoor use only, excluding bathrooms or any type of humid surface.
- We recommend reading the manual before installing the lamp. Keep this instructions for future reference since they contain information on bulb replacing and maintenance.

ASSEMBLY INSTRUCTIONS



IMPORTANT NOTICE:

Caution: to avoid possible electrical shock, make certain electricity is shut off at main panel before wiring.

1. Making certain that the threads of the cross bar screws are pointing away from the wall, secure the round cross bar (R) to the junction box using the mounting screws (S1).

2. Unfasten the dowels (A) to release the counter-plaque (B). Connect the white fixture wire to the white wire of the supply circuit. Connect the black fixture wire to the black wire of the supply circuit. Secure with the wire nuts (N) and tape connections with electrical tape. Connect the fixture copper ground wire and the supply ground wire to the ground screw on the round cross bar using the ground terminal.

Push the connections and all excess wire to the interior of the junction box. Spread the electrical splices on the so that the black wires are on one side of the junction box and the white wires on the other.

Secure the counter-plaque (B) to the round cross bar using the screws (S2).

3. Fix the base (C) to the counter-plate (B) fastening the dowels (A). In this way the lamp will be fixed to the wall.

4. After installing the bulb, position the shade on the plaque (D) and fix it with the supplied screws (E).

NOTE: The spotlight (H) is orientable as indicated by the arrow.

5. To adjust the stiffness of the movement, first remove the cover as shown in the illustration. Second, make the necessary adjustment using a 10mm socket spanner and finally replace the cover.

Maintenance

-Use a slightly-wet cotton cloth for cleaning.

-In case of malfunction or damage, please contact the retailer who sold the lamp.