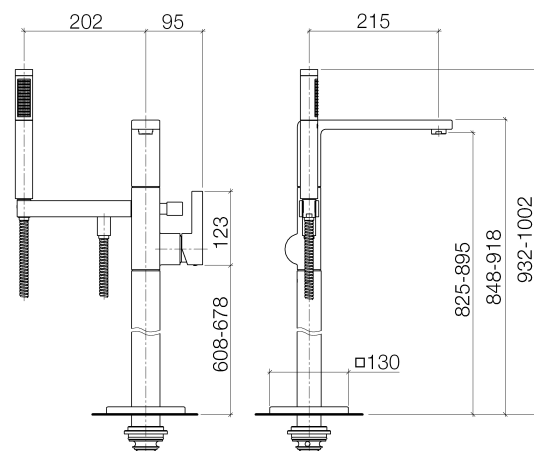


### Product specifications

- **8 1/2" projection**
  - M 24 x 1 aerator – male thread
  - Back flow preventer in shower outlet
  - Diverter
  - Hand shower with descaling system and back flow preventer
  - 3/8" x 1/2" x 49 1/4" shower hose with rotating hose connector
  - Stand pipe with flange 5 1/8 x 5 1/8"
  - Height of mixer 33 1/2" – 36 1/4"
  - Lower body height 29 1/8 – 31 7/8"
  - Height to aerator/spout outlet 32 1/2 – 35 1/4"
  - Hand shower water flow rate limited to max. 2.38 gpm
- Internal backflow preventer.





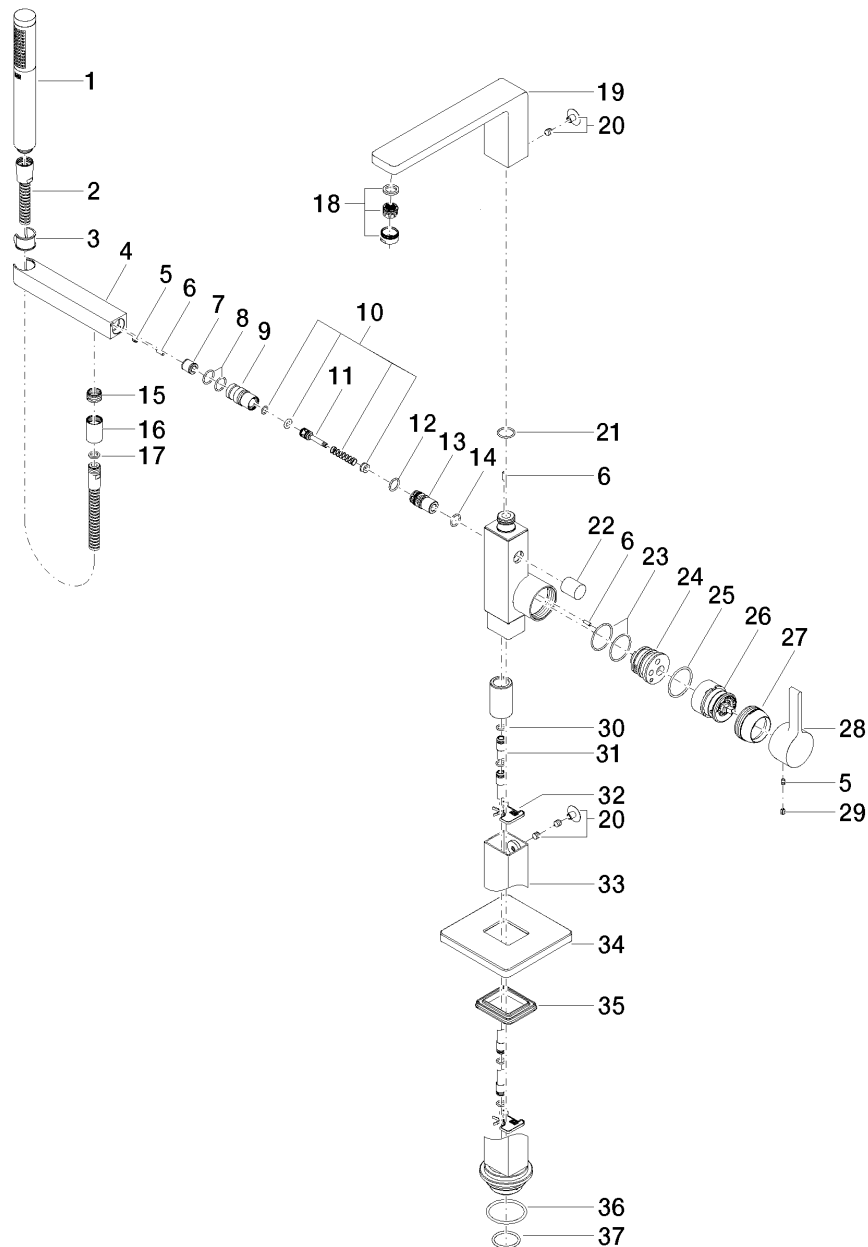
**Surfaces**

- chrome 25963710-00
- chrome 25963710-00
- matt platinum 25963710-06
- matt platinum 25963710-06

**Accessories required**

- Rough for floor mounted spout/mixer; 35945970
- Rough for floor mounted spout/mixer; 35945970

**Exploded assembly drawing**



**Order quantity**

<b>No.</b>	<b>Article number</b>	<b>Name</b>	<b>Installation quantity</b>
1	28010979ff	shower	1
2	093002072ff	hose	1
3	09184003590	sleeve	1
4	091720026ff	holder	1
5	09311105890	pin	2
6	09311104090	pin	3
7	09230104090	back-flow preventer	1
8	09141001090	seal	2
9	092403130ff	nipple	1
10	9016020230090	spring	1
11	093109094ff	pull-rod	1
12	09141005590	seal	1
13	092134080ff	nipple	1
14	09141003390	seal	1
15	092403069ff	nipple	1
16	092102069ff	cover	1
17	09142002690	seal	1
18	90230111800ff	aerator	1
19	091171042ff	spout	1
20	0431200340090	plug	2
21	09141003190	seal	1
22	092071031ff	handle	1
23	09141011190	seal	2
24	09240314490	adaptor	1
25	09141006790	seal	1
26	09150505090	cartridge	1
27	092404148ff	nut	1
28	092071045ff	handle	1
29	09312001790	plug	1



---

<b>30</b>	09141013990	seal	2
<b>31</b>	0428220250090	connection	2
<b>32</b>	09209305190	holder	2
<b>33</b>	04282202400ff	pipe	1
<b>34</b>	092771011ff	rosette	1
<b>35</b>	09140310790	seal	1
<b>36</b>	09141008490	seal	1
<b>37</b>	09141001890	seal	1

