



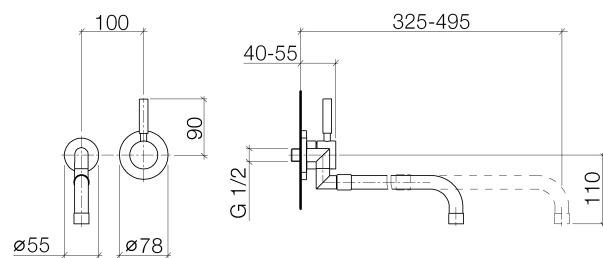
Product specifications

Exposed trim parts only, rough to be ordered separately

• **19 1/2" projection**

- Extendable spout
- Swivel spout
- Spout with integrated aerator
- Diameter flange for mixer 3 1/8"
- 2 1/8" diameter flange for spout
- Handle with sleeve
- Water flow rate limited to max. 1.5 gpm
- low lead compliant

Mixer can be positioned above, to the right or to the left of spout.





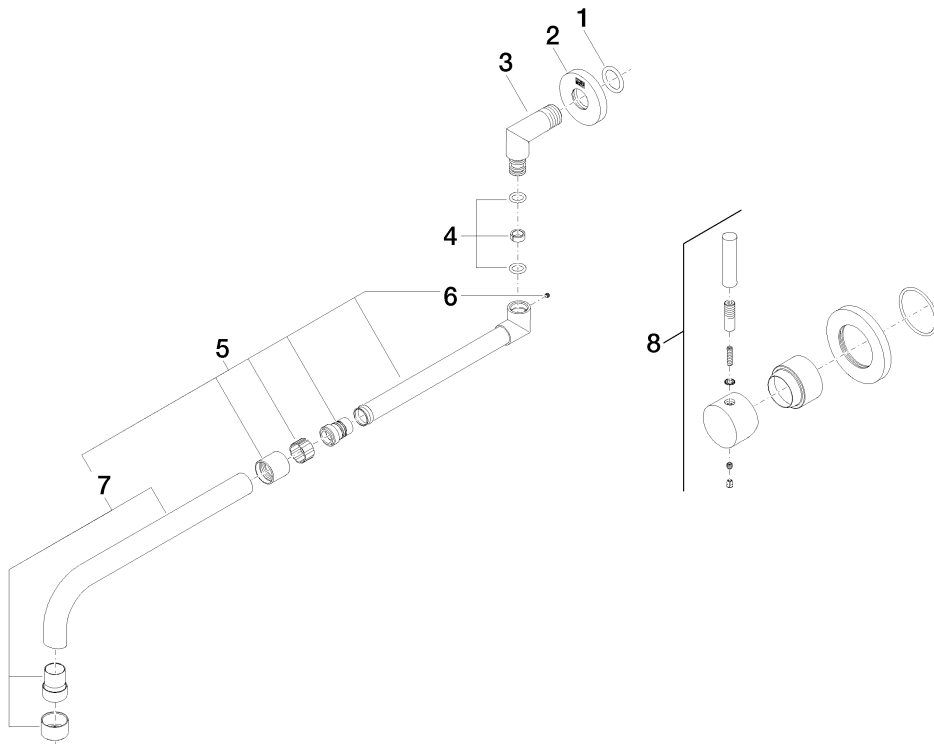
Surfaces

- chrome 36851625-000010
- matt platinum 36851625-060010

Accessories required

- Rough, handle on the right, spout on the left ;
35806970
- Rough, handle on the left, spout on the right;
35807970
- Rough, mixer above; 35808970

Exploded assembly drawing



Order quantity

No.	Article number	Name	Installation quantity
1	09141002690	seal	1
2	092722503ff	rosette	1
3	09230108090	back-flow preventer	1
4	09110301310ff	connection	1
5	9014150200090	gasket kit	1
6	04282507710ff	spout	1
7	09311103890	pin	1
8	90282507600ff	spout	1
9	36008625ff	connection	1

Kitchen

Meta.02 Single lever mixer with individual flanges

Article number: 36851625

