

FEATURED MODEL

441695 33" Single, 9-1/4" bowl depth, White

ADDITIONAL MODELS

441699 33" Single, 9-1/4" bowl depth, Biscuit

441694 30" Single, 9-1/4" bowl depth, White

441696 30" Single, 9-1/4" bowl depth, Biscuit

518542 Bar Bowl, 7" bowl depth, White

520286 Bar Bowl, 7" bowl depth, Biscuit

FEATURES

- Required outside cabinet: 36"
- Center drain placement
- Unique apron front REVERSIBLE design allows for both contemporary or traditional decor applications
- Fireclay material allows for perfect, smooth, and easy to clean surface
- Ultra durable surface fired at over 2,100° F
- No template or DXF file provided, recommend use of sink for determining final cabinet and countertop dimensions
- Shown with 3-in-1 drain not included
- Apron front is 10" high, rim width is 3/4"

OPTIONAL ACCESSORIES

Stainless Steel Sink Grid: 229562

3-in-1 Basket Strainer: 441231

CapFlow Drain Cover: 517666

CODE/STANDARDS COMPLIANCE

ASME 112.19.3-00

IAPMO/UPC listed

SPECIAL INSTALLATION NOTES -

EXTREME CAUTION: Sinks are extremely heavy. For personal safety, always use extra personal for moving or installation.

REVERSIBLE FRONT APRON: The BLANCO CERANA apron sink is a reversible style design with different installation dimension depending on which front apron side you choose to remain seen after installation. **SPECIAL CARE SHOULD BE TAKEN BY THE COUNTERTOP FABRICATOR TO ENSURE THE CORRECT CUT OUT.** Please note that both long sides of the apron sink have DIFFERENT RADII corners which will affect the final installation. Fabricators should take extra care in confirming which front apron side of the sink will be after installation to ensure the stone is cut to the appropriate corner radii.

It is critical that the cabinet maker, cabinet installer, and countertop fabricator fully understand the consumer's requirements regarding the final installed look (either side A or side B facing out).

The cabinet area beneath the sink **MUST** be reinforced to provide sufficient support. A wood or metal support frame for the sink must support 400 pounds.

WARRANTY

Blanco America's FIRECLAY sinks feature a **LIMITED LIFETIME WARRANTY** to be free of all manufacturing defects under normal use. See our complete warranty for details.

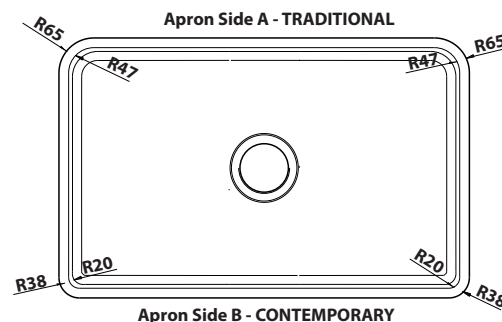
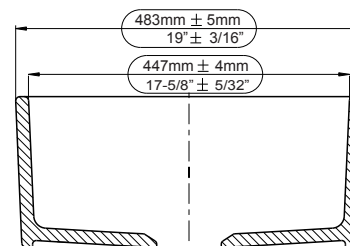
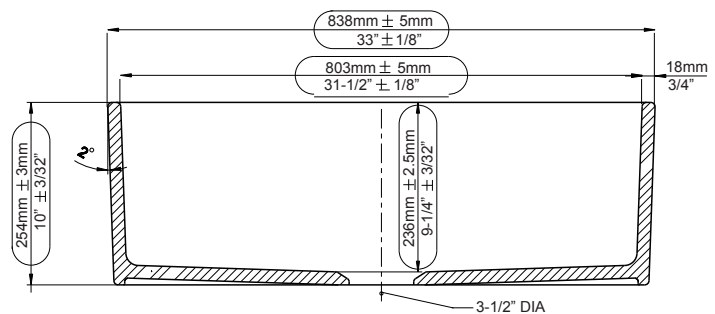
While Blanco America endeavors to provide accurate information, all dimensions are nominal, cannot be guaranteed, and are subject to change or cancellation. Blanco America assumes no responsibility for use of superseded or voided specifications.



NOMINAL DIMENSIONS

Model 441695 shown

OVERALL	BOWL DEPTH	DRAIN
33" x 19"	9-1/4"	3-1/2"



BLANCO AMERICA

800.451.5782

www.blancoamerica.com

© 2013 BLANCO AMERICA

7/13

SPEC-003