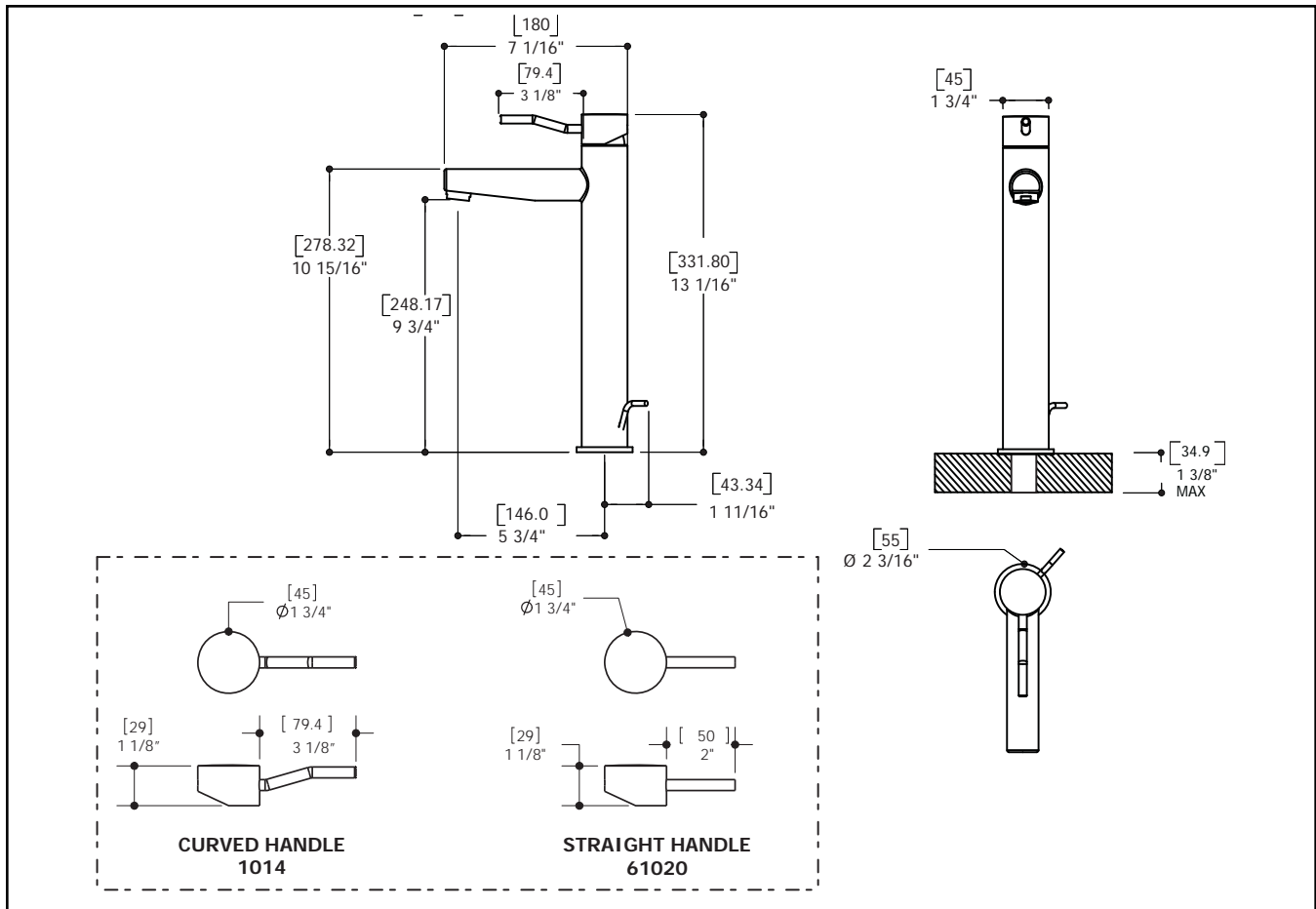
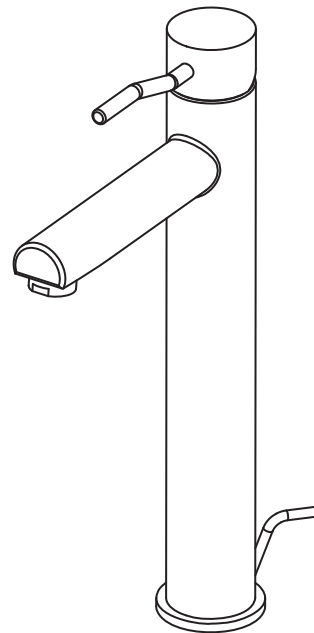


## TECHNICAL SPECIFICATIONS

### FEATURES:

- Solid brass construction
- High quality finishing
- 5 3/4" spout C to C
- Mechanical pop up drain
- 2GPM water conservation aerator
- CSA approved



**SERVICE PARTS**

