

Roman Tub Deck Trim

2546



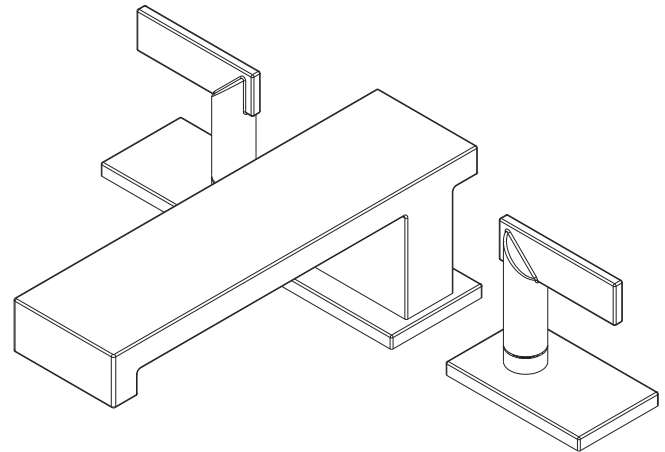
Features

- Solid brass construction
- ADA compliant contemporary lever handles
- 2-3/16" (5.6 cm) spout height at outlet
- 8-3/8" (21.3 cm) spout reach (c-c)
- Intended for use with Newport Brass rough valve kit (Included Accessory) which incorporates the following:
 - Brass valve bodies and spout nipple
 - Quarter-turn washerless ceramic disc 3/4" valve cartridges

Codes / Standards Compliance

Meets or exceeds the following at date of manufacture:

- ASME A112.18.1/CSA B125.1
- IAPMO/cUPC
- IPC
- ADA
- ICC/ANSI A117.1
- All applicable US Federal and State material regulations
- EPA Watersense



Colors / Finishes

- 15: Polished Nickel
- 15S: Satin Nickel
- 26: Polished Chrome
- 10B: Oil Rubbed Bronze
- Other: Refer to the Newport Brass catalog for additional color/finish options.

Specified Model

Model	Description	Colors / Finishes
2546	Roman Tub Deck Trim	<input type="checkbox"/> 15 <input type="checkbox"/> 15S <input type="checkbox"/> 26 <input type="checkbox"/> 10B <input type="checkbox"/> Other

Required Accessory:

Trim, above, and Rough Valve Kit, below, must both be specified.

Application	Roman Tub			Roman Tub with Handshower					
	Hot Valve	Cold Valve	Spout Quick-Connect Fitting	Hot Valve	Cold Valve	Spout Quick-Connect Fitting	Poly-Braided Hose	Handshower Diverter	H/S Flange Hardware
Inlet/Outlet Size	3/4"	3/4"	3/4"	3/4"	3/4"	3/4"	1/2"	1/2" / 3/4"	-
Part Number	<input type="checkbox"/> 1-570			<input type="checkbox"/> 1-571					
Image									

Product Specification:

Add "Color / Finish" suffix to Tub Deck Trim model number, below.

The Roman Tub Deck Trim shall be made of solid brass construction. Roman Tub Deck Trim shall incorporate ADA compliant contemporary lever handles. Product shall incorporate a 2-3/16" (5.6 cm) spout height at outlet and a 8-3/8" (21.3 cm) spout reach (c-c). Rough valve kit shall incorporate brass valve bodies with quarter-turn washerless ceramic disc 3/4" valve cartridges and a spout nipple. Roman Tub Deck Trim shall be Newport Brass Model 2546/____ which includes Newport Brass rough valve kit 1-570.

2546

Product Dimensions (units are in inches)

