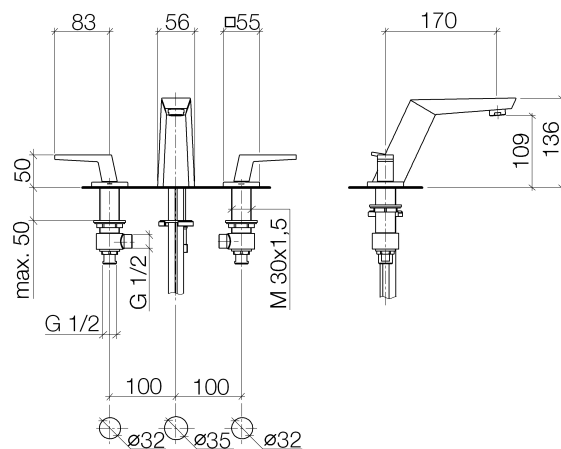




Product specifications

- **6 3/4" projection**
 - Fixed spout
 - M 24 x 1 aerator – male thread
 - Total height 5 3/8"
 - Height to aerator/spout outlet 4 1/4"
 - Spout hole diameter 1 3/8"
 - Valve hole diameter 1 1/4"
 - Deck valves with 2x xControl ceramic disc cartridges 1/2"
 - 2x M 10 x 1/2" screw-in high pressure hose
 - Compression connectors
 - US drain with overflow
 - Water flow rate limited to max. 1.5 gpm
 - low lead compliant
 - Individual flanges 2 1/8" x 2 1/8"
 - **Spout in center, handle arrangement symmetrical**
- [ADA]

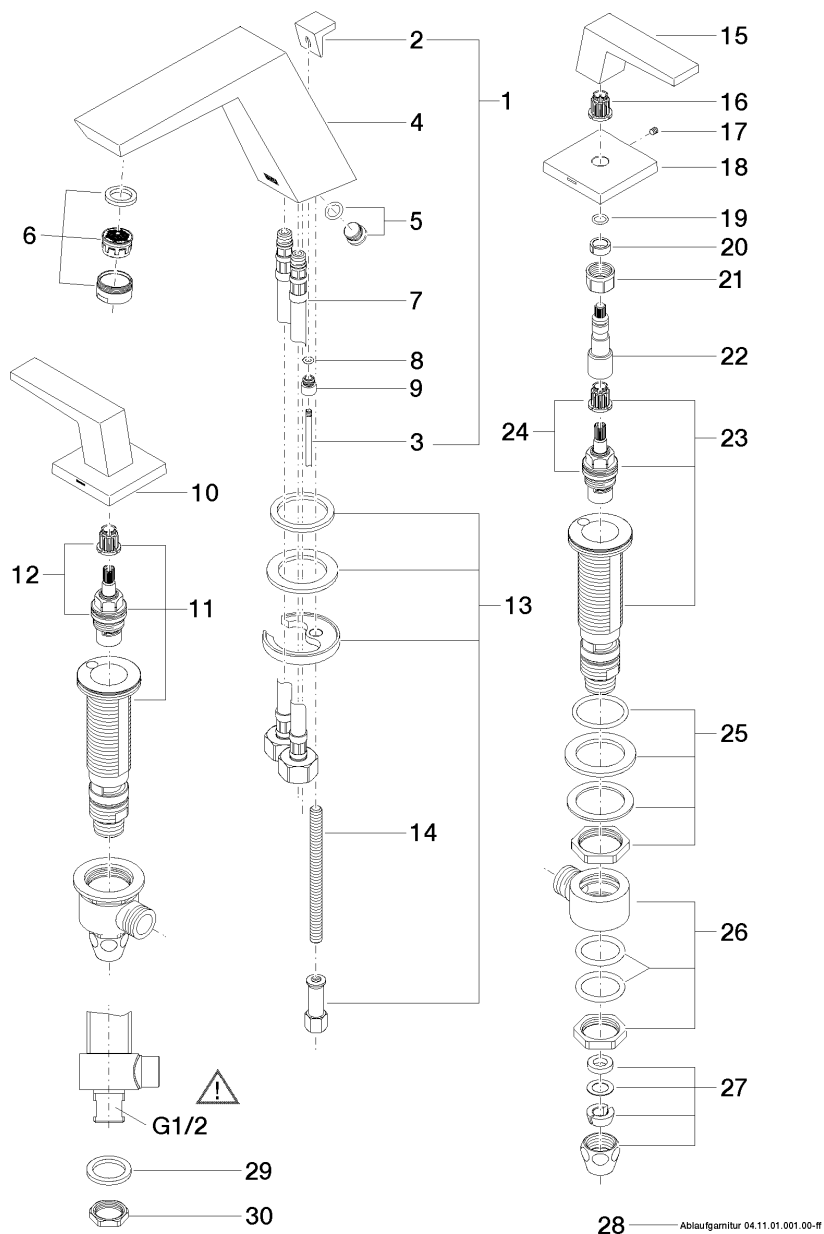




Surfaces

- chrome 20713732-000010
- chrome 20713732-000010
- champagne 20713732-470010
- champagne 20713732-470010

Exploded assembly drawing



Order quantity

No.	Article number	Name	Installation quantity
1	04207330180ff	pull-rod	1
2	092073301ff	handle	1
3	093109080ff	pull-rod	1
4	09117303110ff	casing	1
5	0431200391090	plug	1
6	90230111803ff	aerator	1
7	0430040190090	hose	2
8	09141016690	seal	1
9	09240423390	plug	1
10	092773003ff	rosette	1
11	0417110455390	side panel	1
12	9090031530090	top	1
13	0430110387090	fixing set	1
14	09311101290	pin	1
15	092073201ff	handle	2
16	09121200290	fixing cap	2
17	09311100790	pin	2
18	092773002ff	rosette	1
19	09141006090	seal	2
20	09141502090	ring	2
21	09233002390	nut	2
22	092906107ff	spindle	2
23	0417110455290	side panel	1
24	9090031520090	top	1
25	0423100327890	fixing set	2
26	0417110231090	distributor	2
27	04110102300ff	pop-up waste	1
28	09301105990	disc	2
29	09231001290	nut	2

Bath & Spa

SUPERNOVA Three-hole lavatory mixer with individual flanges

Article number: 20713732



