



FEATURES

Solid brass construction
 Aerated water flow
 Ceramic cartridge # hot ABCA30911 cold ABCA30921
 1/2" connection

FINISHES

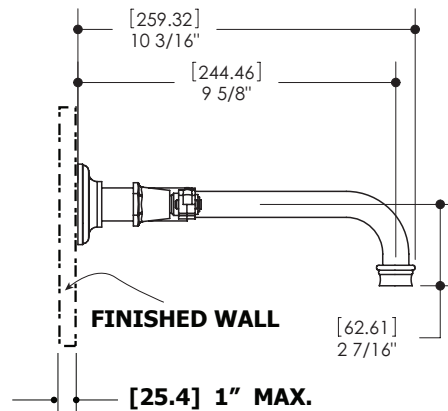
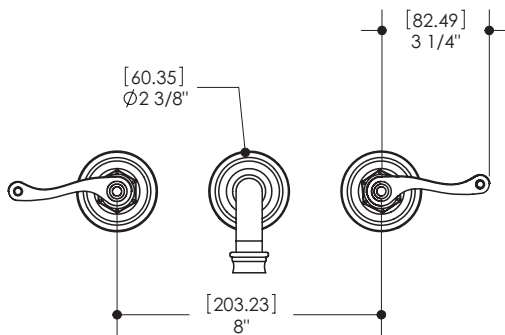
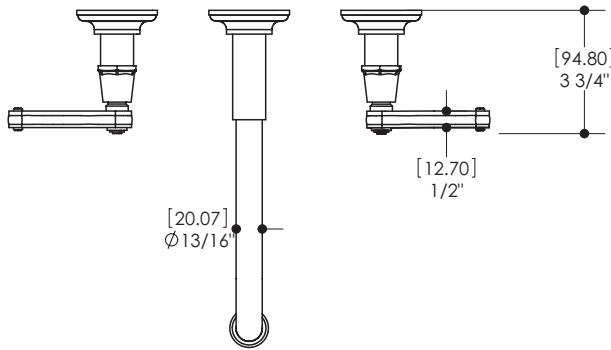
Standard
 polished chrome (pc)
 brushed nickel (bn)
Custom
 19 custom finishes available
 (ask your local Aquabress authorized dealer for details)

WARRANTY

Residential: Limited lifetime warranty to original purchaser
 Commercial: Two years warranty
 (Complete warranty available at www.aquabress.com/warranty)

SPECS AT LARGE

Overall spout projection: 10 3/16" Flow rate: 2.2 gpm
 CC spout projection: 9 5/8" Mounting hole: 1 3/8"
 Total faucet height: 2 3/8" Counter depth: 1 3/8"



EXPLOSION PARTS

