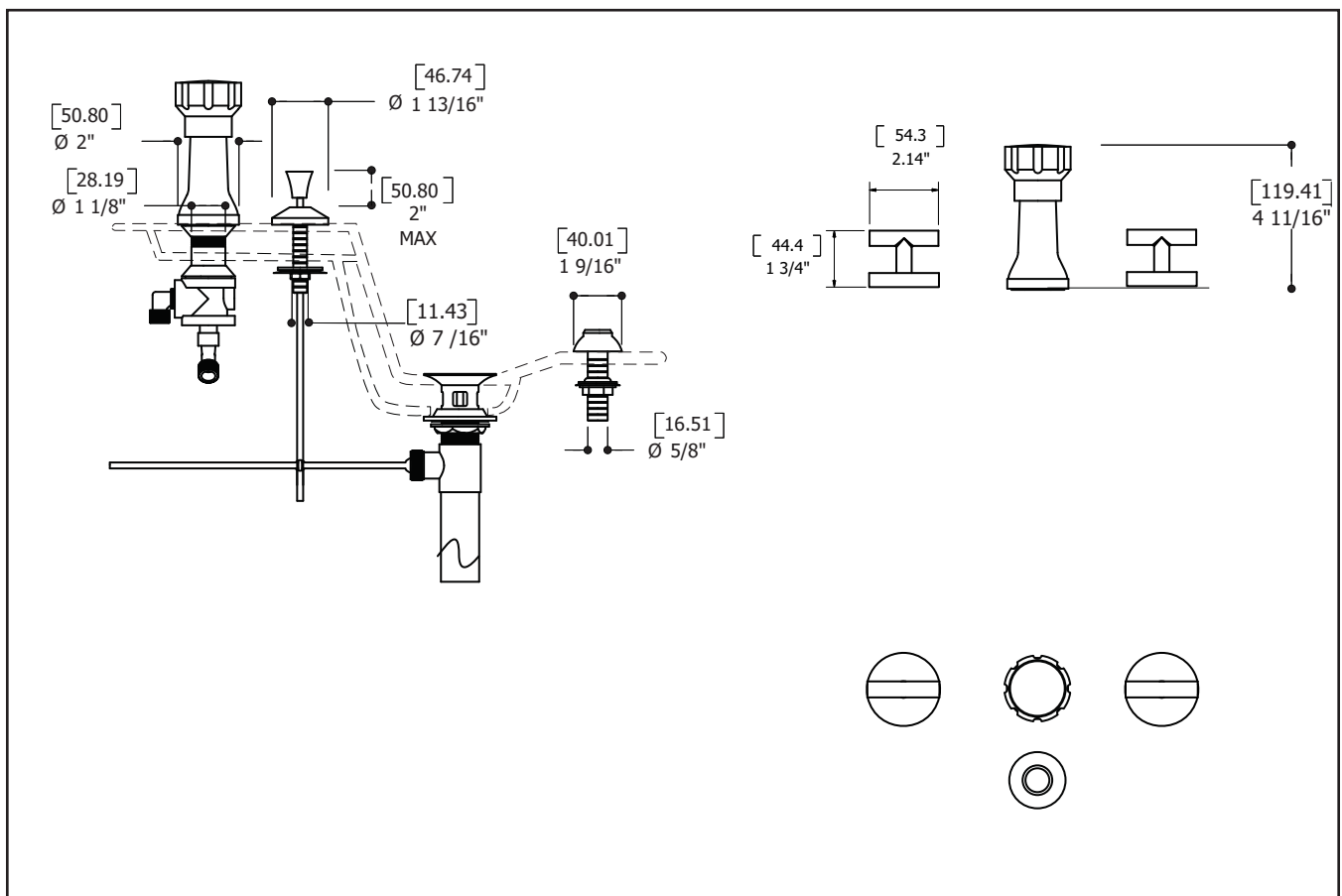
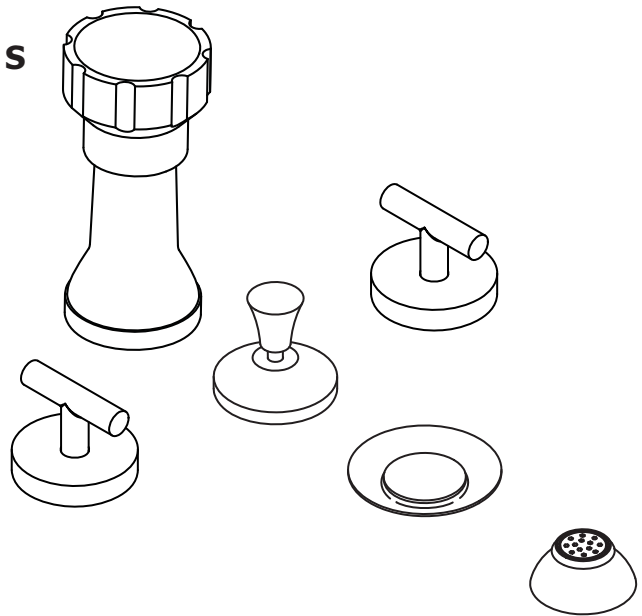


## TECHNICAL SPECIFICATIONS

### FEATURES:

- Solid Brass construction
- Flexible connections
- High quality finishing
- Quarter-turn washerless ceramic disc valves
- Mechanical pop up drain
- Vertical spray
- Fixture-mount transfer valve/vacuum breaker
- CSA approved



**SERVICE PARTS**

