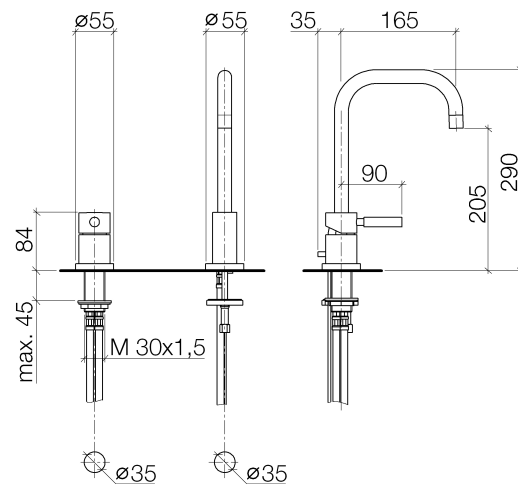




### Product specifications

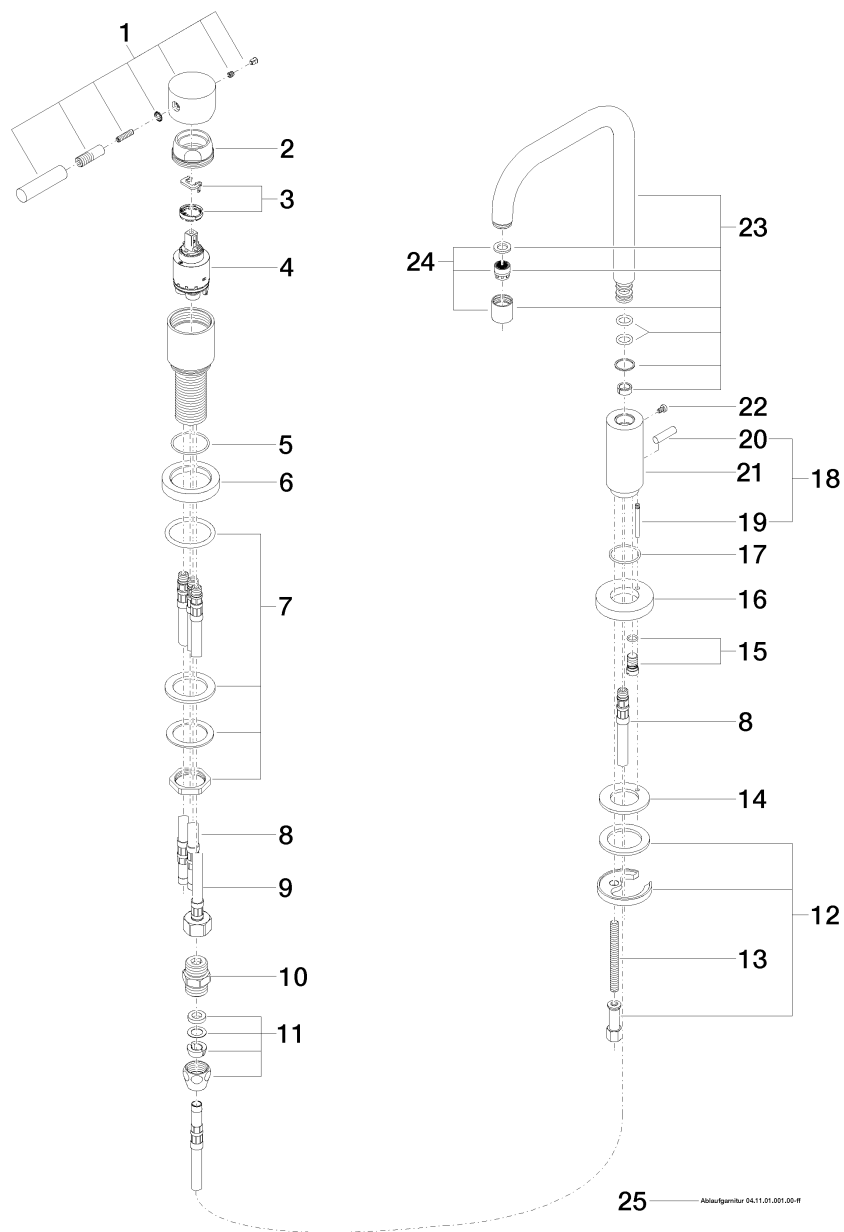
- **6 1/2" projection**
  - Spout with 360° pivoting swivel spout
  - M 18 x 1 aerator – female thread
  - Total height 11 3/8"
  - Height to aerator/spout outlet 8 1/8"
  - Ceramic disc cartridge
  - 1x M 10 x 1/2" screw-in high pressure hose
  - 3x M 10 x 1 screw-in high pressure hose
  - **US drain with overflow**
  - Water flow rate limited to max. 1.5 gpm
  - low lead compliant
- [ADA]



### Surfaces

- |                 |                 |
|-----------------|-----------------|
| • chrome        | 32500625-000010 |
| • chrome        | 32500625-000010 |
| • matt platinum | 32500625-060010 |
| • matt platinum | 32500625-060010 |

**Exploded assembly drawing**



**Order quantity**

<b>No.</b>	<b>Article number</b>	<b>Name</b>	<b>Installation quantity</b>
1	90206204000ff	handle	1
2	092404107ff	nut	1
3	0428101480090	accessories	1
4	09150506390	cartridge	1
5	09141010290	seal	1
6	092810111ff	rosette	1
7	0423100324690	fixing set	1
8	0430040450090	hose	2
9	0430040190090	hose	1
10	0924031681090	nipple	1
11	04233004000ff	threaded connector	1
12	0430110380090	fixing set	1
13	09311101190	pin	1
14	09140504790	seal	1
15	0431200461092	set	1
16	092810112ff	rosette	1
17	09141012090	seal	1
18	04206203080ff	pull-rod	1
19	093109080ff	pull-rod	1
20	092062030ff	handle	1
21	09111006410ff	connection	1
22	09303003790	screw	1
23	90282220700ff	spout	1
24	90230102800ff	aerator	1
25	04110102300ff	pop-up waste	1

