

Date:

Client:

Project:

VOLA product: 5201



5201

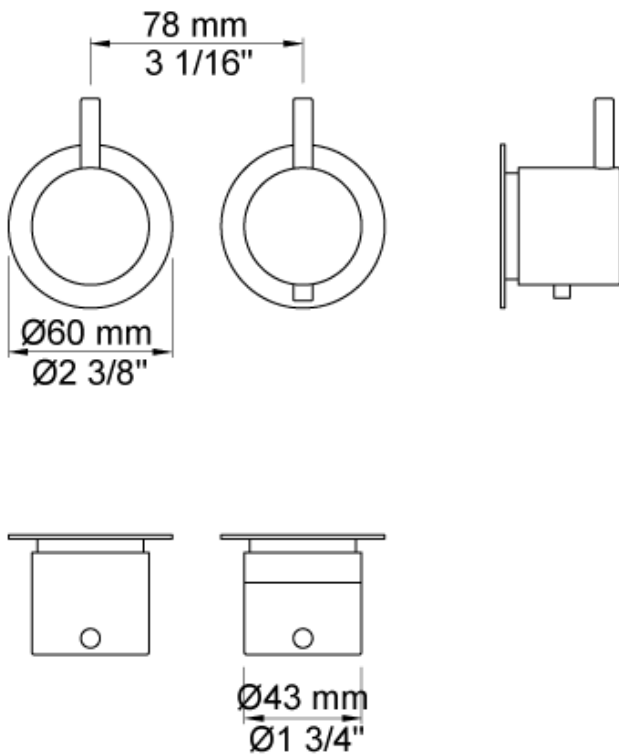
¾" thermostatic mixer.

5201 UP = Thermostatic mixer 5200V.

5201 AP = Handle NR51, handle NR52. 2 pcs. 60 mm circular flanges 2001.

Flow

	Bar:	1,0	2,0	3,0	4,0	5,0
5200V	(l/min)	26,0	36,7	45,0	52,0	58,1



Available in colours

- Color 02, Grey
- Color 04, Light blue
- Color 05, Orange
- Color 06, Light green
- Color 08, Yellow
- Color 09, Dark grey
- Color 12, Mocca
- Color 14, Bright red
- Color 15, Dark blue
- Color 16, Polished chrome
- Color 17, Gloss black
- Color 18, White
- Color 19, Natural brass
- Color 20, Brushed chrome
- Color 21, Carmine red
- Color 25, Pink
- Color 27, Matt black
- Color 40, Brushed stainless steel

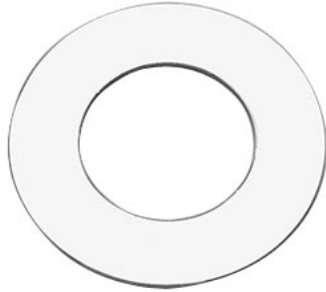


Date:

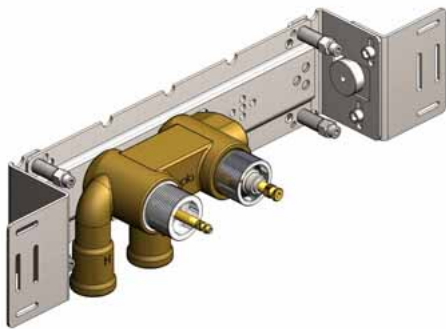
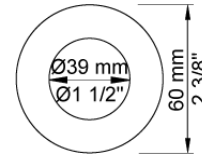
Client:

Project:

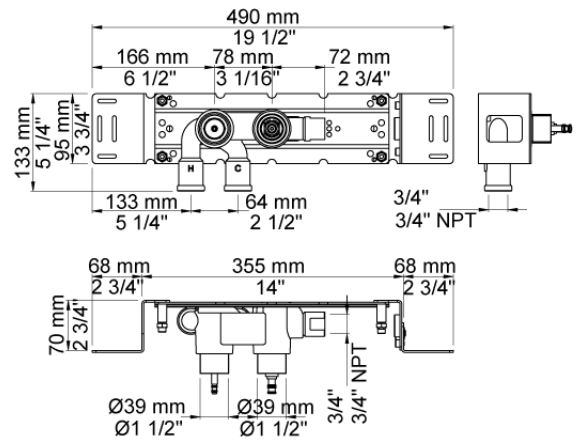
VOLA product: 5201



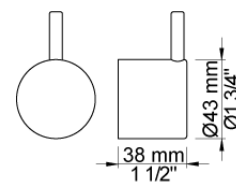
2001
60 mm circular flange.
Hole Ø39 mm.



5200V
Thermostatic mixer without outlet socket.
3/4" connection to copper, steel, iron or pex pipe work.



NR51
On/off handle for 5000 and 6000.



--

Date:

Client:

Project:

VOLA product: 5201

