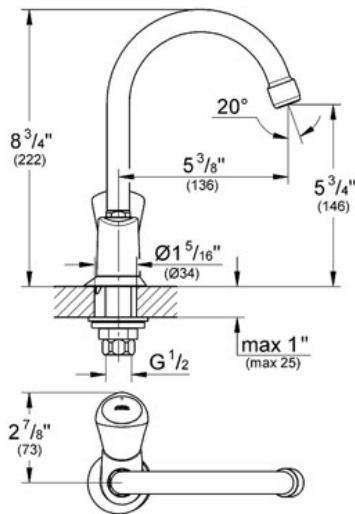


CLASSIC II  
Pillar tap  
MODEL # 20179

Pure Freude an Wasser



GROHE America, Inc | 200 North Gary Avenue, Suite G, Roselle, IL 60172  
Phone: +1 (800) 444-7643 | Fax: +1 (800) 225-2778 | us-customerservice@grohe.com



**Product Description:**  
Pillar tap

- Standard Specification:**
- GROHE StarLight® finish
  - Grip metal handle
  - Heat-insulated
  - Threaded
  - Ceramic cartridge
  - Swivel Spout
  - Flow straightener
  - 1/2" union nut with 7/16" drilling
  - Max Flow Rate 1.75 gpm (6.6 L/min)

- Applicable Codes & Standards:**
- Energy Policy Act of 1992
  - NSF 61
  - ASME A112.18.1/CSA B125.1
  - US Federal and State material regulations

- Color:**
- 20179 001 chrome

