

**24" FENNEL DOUBLE
BOWL UNDERMOUNT SINK**

Cat. No
KSSDB2530-SS



W: 23"
D: 18-3/4"
H: 7"

Features:

- ▶ Solid 16 gauge, 304 grade metal construction
- ▶ Coated for sound insulation
- ▶ Easy to clean tight radius corners
- ▶ Mounting clips and template included
- ▶ Lip is 1-1/16" wide
- ▶ 3-1/2" drain
- ▶ 70/30 offset
- ▶ Drain sold separately

Compliance Certification
Meets or exceeds the following
specifications: ASME
A112.19.3-2001 for Stainless Steel.

***Please do NOT cut hole without
template or actual product.**

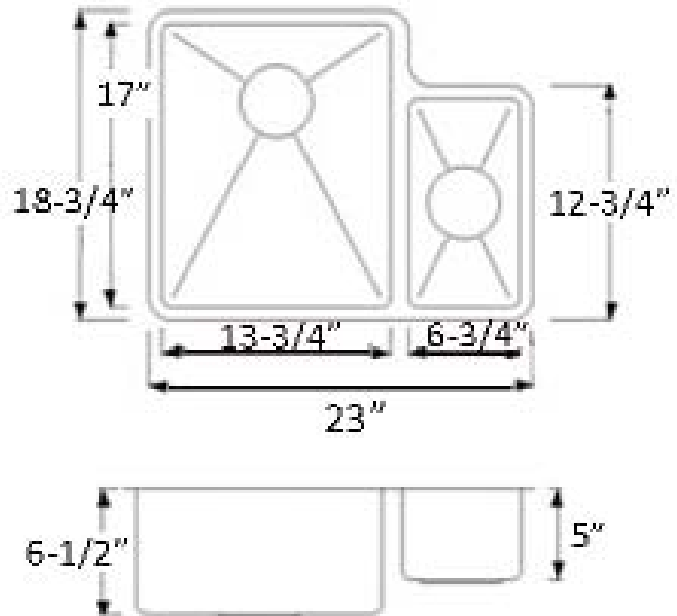
Interior Dimensions:

Large

Basin Interior: 13-3/4" W x 17" D
Basin Depth: 6-1/2"

Small

Basin Interior: 6-3/4" W x 12-3/4" D
Basin Depth: 5"



Dimensions of fixture are nominal and may vary within the range of tolerances established by ANSI Standard A112.19.2. Dimensions and specifications subject to change without notice.