

# ROHL

The Experience of Authentic Luxury™

www.rohlhome.com



## ANTI-CAL SHOWERHEAD

ROHL Shower

- 1007/8 (4" Showerhead)
- 1017/8 (5" Showerhead)
- 1027/8 (6" Showerhead)
- 1037/8 (8" Showerhead) (shown)
- 1047/8 (12" Showerhead)

### FEATURES

- Flexible calcium resistant nozzles on spray face allow for easy removal of hard water build-up
- 1/2" female supply connection
- Serviceable faceplate
- Flows at 2.5 GPM
- Includes swivel
- Flow restrictor replacement part #: WVANRIP10AV8
- Swivel ball replacement part #: 1590/8 (FINISH)

### COLORS/FINISHES

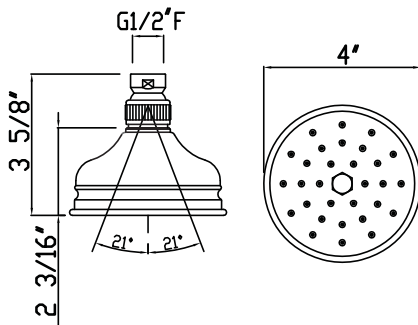
- Polished Chrome
- Polished Nickel
- Satin Nickel
- Tuscan Brass
- Inca Brass
- Old Iron\*

### WARRANTY

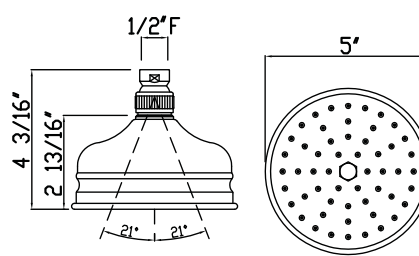
- 2 years on manufacturer defects\*
- \*No warranty for Tuscan Brass (TCB)

\*Old Iron only available on the 1037/8

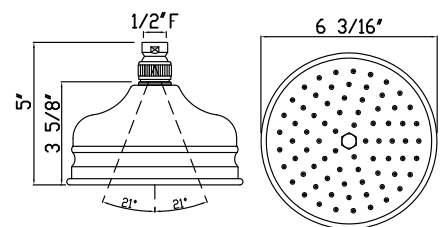
#### 1007/8 (4")



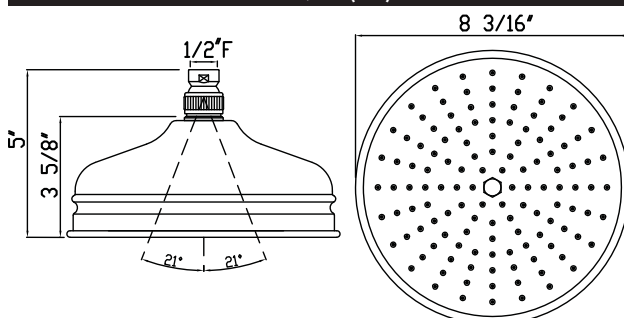
#### 1017/8 (5")



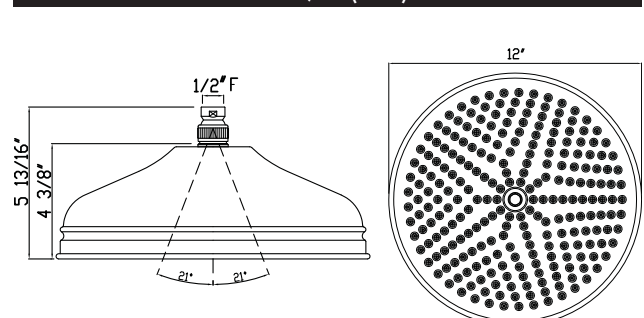
#### 1027/8 (6")



#### 1037/8 (8")



#### 1047/8 (12")



Consult your local ROHL showroom for additional information and specifications. For complete warranty details and a list of showrooms, go to [www.rohlhome.com](http://www.rohlhome.com).