

**28-8.9B-S1 / 321-8.9B-S1**

**Floor Mounted Elevated Tub Filler and Hand Shower**

6.5 GPM @ 45 PSI (Tub)

2.5 GPM @ 45 PSI (Handshower)

Note: Some building codes require remote pressure balance valves for anti-scald



Meets the applicable requirements of ASME A112.18.1-2005/CSA B125.1-05, entitled "Plumbing Supply Fittings"

**WATERMARK DESIGNS**

350 Dewitt Ave Brooklyn NY 11207 USA T 718 257 2800 F 718 257 2144 [info@watermark-designs.com](mailto:info@watermark-designs.com)

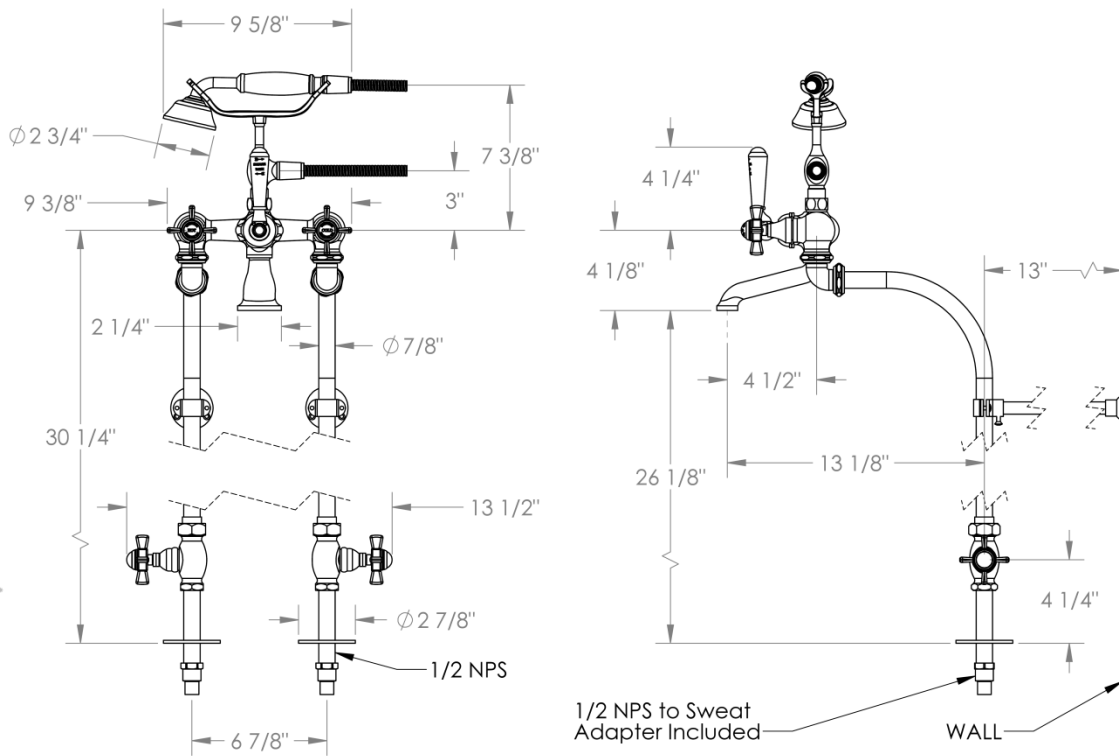
**28-8.9B-S1 / 321-8.9B-S1**

**Floor Mounted Elevated Tub Filler and Hand Shower**

6.5 GPM @ 45 PSI (Tub)

2.5 GPM @ 45 PSI (Handshower)

Note: Some building codes require remote pressure balance valves for anti-scald



Meets the applicable requirements of ASME A112.18.1-2005/CSA B125.1-05, entitled "Plumbing Supply Fittings"

**WATERMARK DESIGNS**

350 Dewitt Ave Brooklyn NY 11207 USA T 718 257 2800 F 718 257 2144 info@watermark-designs.com