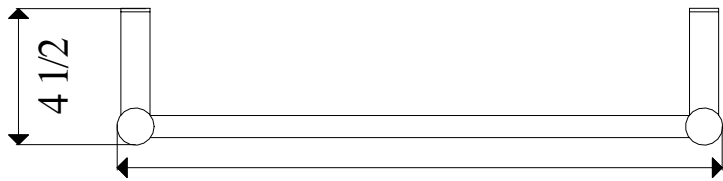


# JEEVES

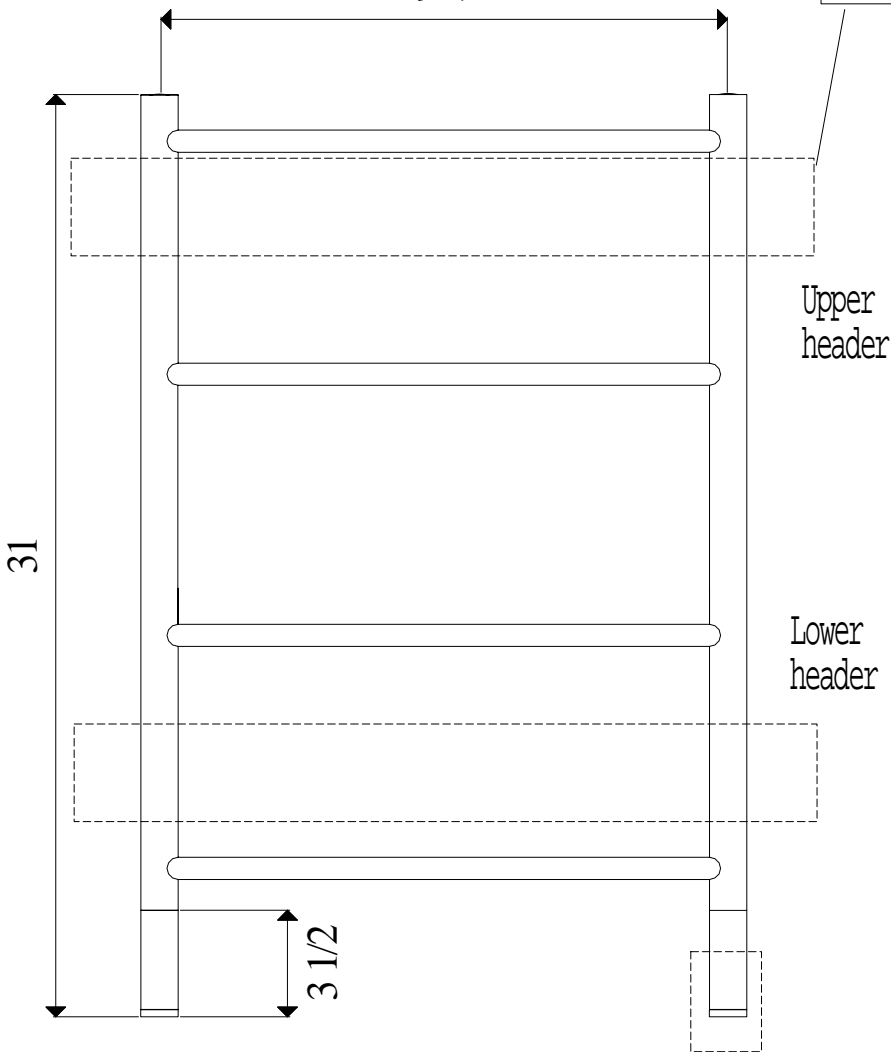
HEATED TOWEL RAILS



$20\frac{1}{2}$

$19\frac{1}{4}$

For construction with wall studs on 16 in. centers, the header is located between the studs for the right side mounting. For construction with wall studs on centers greater than 19-1/2 in. provide secure header as shown.

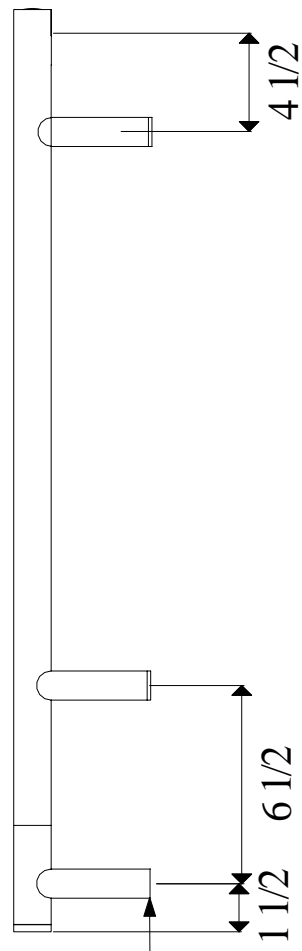


31

Upper header

Lower header

$3\frac{1}{2}$



$4\frac{1}{2}$

$6\frac{1}{2}$

$1\frac{1}{2}$

Wire cover tube fits into centre of cover plate which fits over single gang box

## MODEL I - STRAIGHT