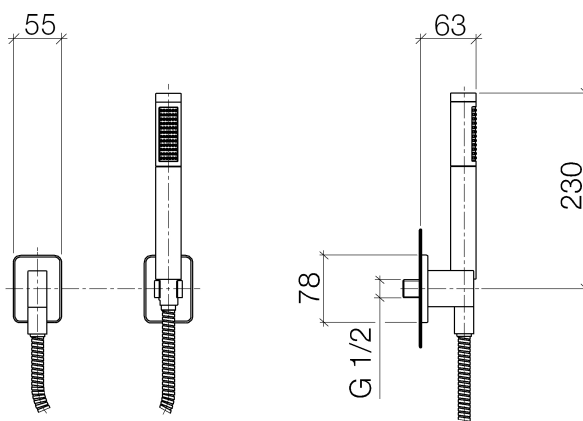




Product specifications

- Hand shower with descaling system and back flow preventer
- Hand shower bracket
- 3/8" shower outlet
- 3/8" x 1/2" x 49 1/4" shower hose with rotating hose connector
- Flanges 3 1/8 x 2 1/8"
- Water flow rate limited to max. 2 gpm
- 1/2" wall elbow with back flow preventer
Internal backflow preventer.



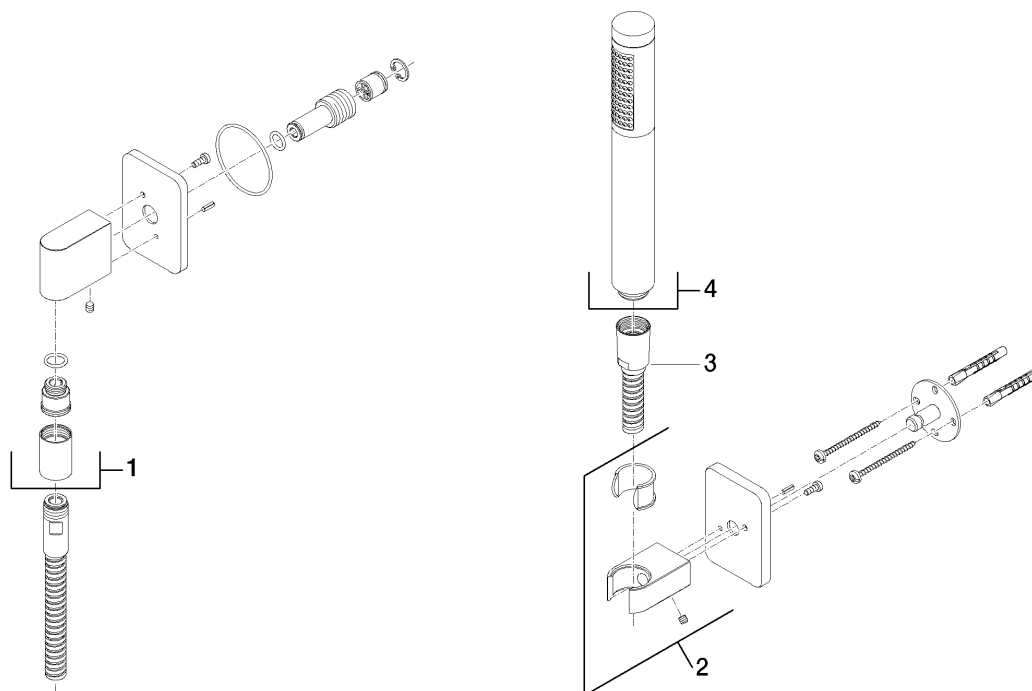
Surfaces

- | | |
|-----------------|-------------|
| • chrome | 27808710-00 |
| • chrome | 27808710-00 |
| • matt platinum | 27808710-06 |
| • matt platinum | 27808710-06 |

Accessories required

- Rough-in adaptor; 35080970
- Rough-in adaptor; 35080970

Exploded assembly drawing





Order quantity

No.	Article number	Name	Installation quantity
1	28450710ff	connection	1
2	28050710ff	holder	1
3	093002072ff	hose	1
4	28010979ff	shower	1

