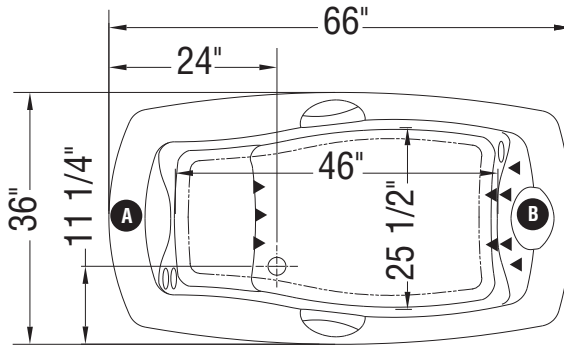
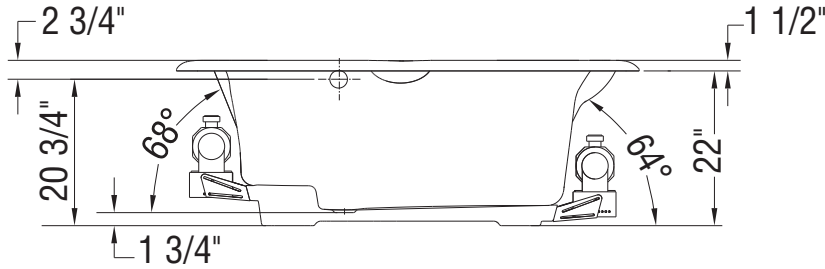
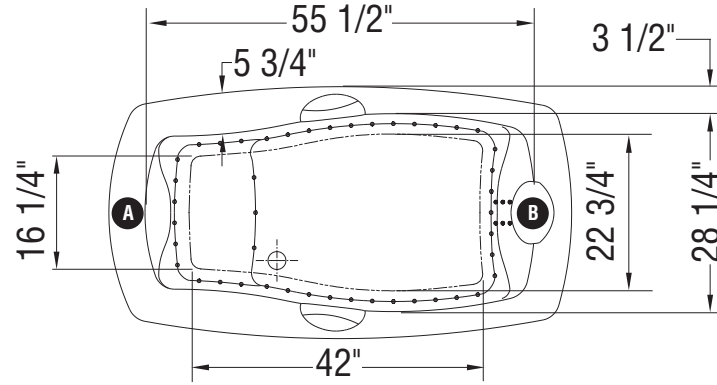


### WHIRLPOOL SYSTEM



### AIR SYSTEM



(A/B) : Specify blower and/or pump location when ordering

(○) : Indicates whirlpool jets positioning

(•) : Indicates airjets positioning

(▲) : Indicates backjets and foot jets positioning

Bathtub base includes anti-vibration Neutra-Phone leg supports (not shown).

**All dimensions are approximate. Structure measurements must be verified against the unit to ensure proper fit.**