

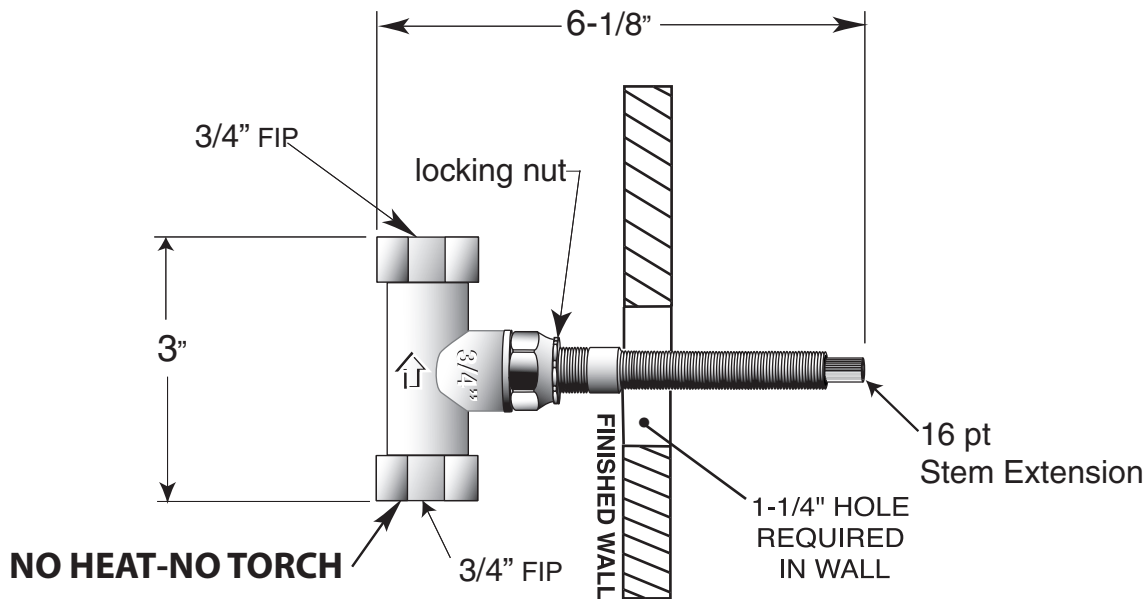
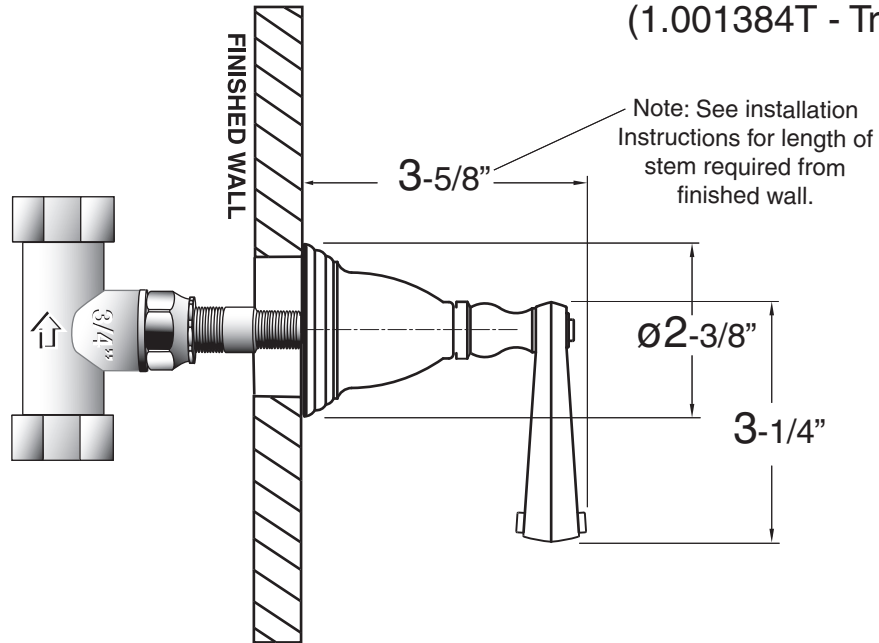
3/4" In-Line Shut-Off

Valve & Trim
1.001384
Hampshire Handle
(1.001384T - Trim Only)

FEATURES:

This product meets and exceeds the following codes and standards

- Meets: ASME A112.18.1-2005/CSAB125.1-2005
- Replacement Cartridge: No. 18.30.011



Note: Measurements are subject to change or cancellation. No responsibility is assumed for use of superseded or voided pages.