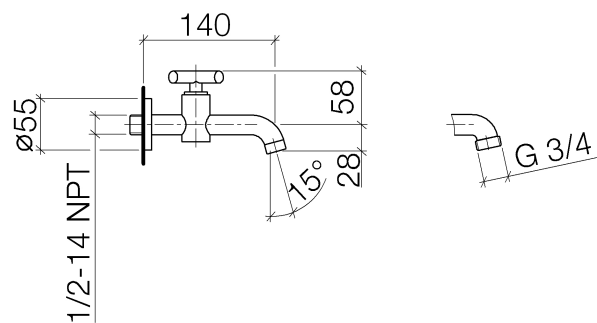




Product specifications

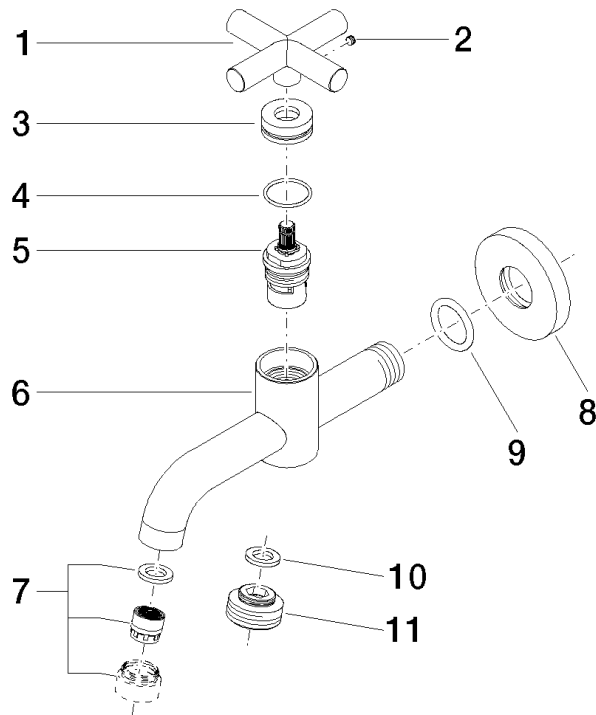
- **5 1/2" projection**
- M 18 x 1 aerator – male thread
- 1/2" ceramic disc cartridge
- 1/2" male NPT connection
- Water flow rate limited to max. 1.5 gpm
- low lead compliant
- Flange diameter 2 1/8"



Surfaces

- chrome 30010892-00
- chrome 30010892-00
- matt platinum 30010892-06
- matt platinum 30010892-06
- platinum 30010892-08
- platinum 30010892-08
- matt white 30010892-10
- matt white 30010892-10
- matt black 30010892-33
- matt black 30010892-33

Exploded assembly drawing



Order quantity

No.	Article number	Name	Installation quantity
1	092089011ff	handle	1
2	09311105590	pin	1
3	092102089ff	sleeve	1
4	09141008590	seal	1
5	9090031350090	top	1
6	04198903200ff	valve	1
7	90230106802ff	aerator	1
8	092722003ff	rosette	1
9	09141002690	seal	1
10	09140502090	seal	1
11	092403012ff	nipple	1

