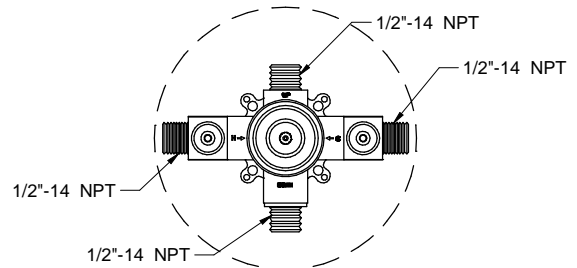
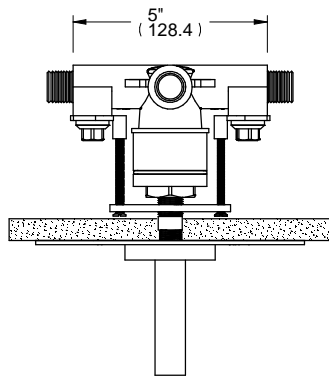
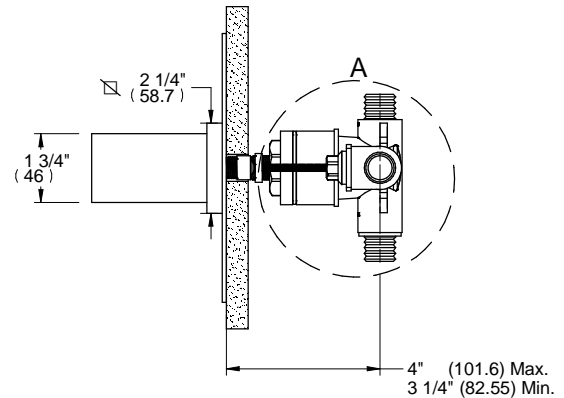
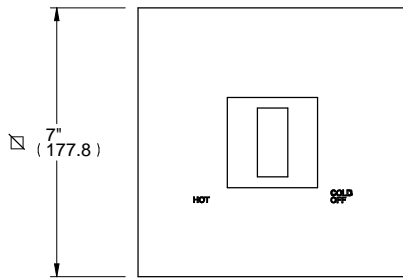


L1



DETAIL A



ALTMANS RESERVES THE RIGHT TO MODIFY AND CHANGE SPECIFICATIONS AT ANY TIME. PLEASE VERIFY DIMENSIONS PRIOR TO INSTALLATION.

**Features**

- Available in All Finishes
- Solid Brass Construction
- Rough & Trim Included
- 5.8 GPM a 50 PSI

**Through-Hole Specifications**

DIMENSIONS SHOWN TO NEAREST 1/16"