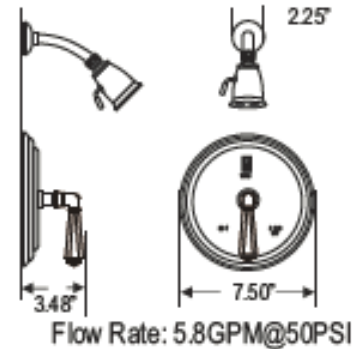




Codes and Standards

- ASME A112.18.1/CSA B125.1-11
- IAPMO US AND CANADA
- ADA



ALTMANS RESERVES THE RIGHT TO MODIFY AND CHANGE SPECIFICATIONS AT ANY TIME. PLEASE VERIFY DIMENSIONS PRIOR TO INSTALLATION

Color/Finishes

- Polished Chrome, PVD Satin Nickel
- Refer to pricelist for other finishes.

Features and Benefits

- Includes Valve 0S35TPR
- Brass Construction
- 1/2 inch valve
- Includes head, arm, Flange, and Trim
- Available in All Altmans Finishes