

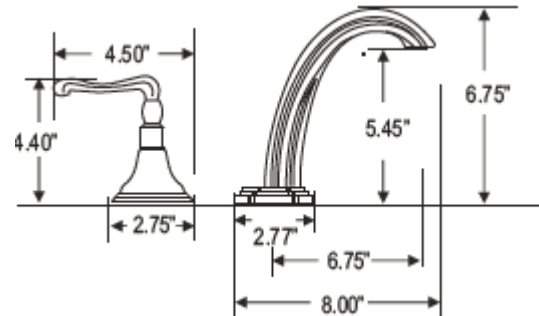


NSF/ANSI 61

ASME A112.18.1/CSA
B125.1-11

Codes and Standards

- NSF/ANSI 61
- ASME A112.18.1/CSA B125.1-11
- ADA
- IAPMO US AND CANADA



ALTMANS RESERVES THE RIGHT TO
MODIFY AND CHANGE SPECIFICATIONS
AT ANY TIME. PLEASE VERIFY DIMEN-
SIONS PRIOR TO INSTALLATION

Color/Finishes

- Polished Chrome, PVD Satin Nickel
- Refer to pricelist for other finishes.

Features and Benefits

- Brass Construction
- Flexible Connections
- 1/4 Turn Ceramic Disc Cartridges
- Includes 1/2 Standard Pop Up Drain

Through-Hole Specifications

Spout: \varnothing 1 1/4" Max.

Valve: \varnothing 1 1/4" Max.