

**205-8.9-S1**

**Floor Mounted Elevated Tub Filler with Handshower**

Includes hot and cold supply valves

12 GPM @ 45 PSI (Tub)

2.5 GPM @ 45 PSI (Handshower)

Note: Some building codes require remote pressure balance valves for anti-scald



**WATERMARK** DESIGNS

350 Dewitt Ave Brooklyn NY 11207 USA T 718 257 2800 F 718 257 2144 info@watermark-designs.com

## 205-8.9-S1

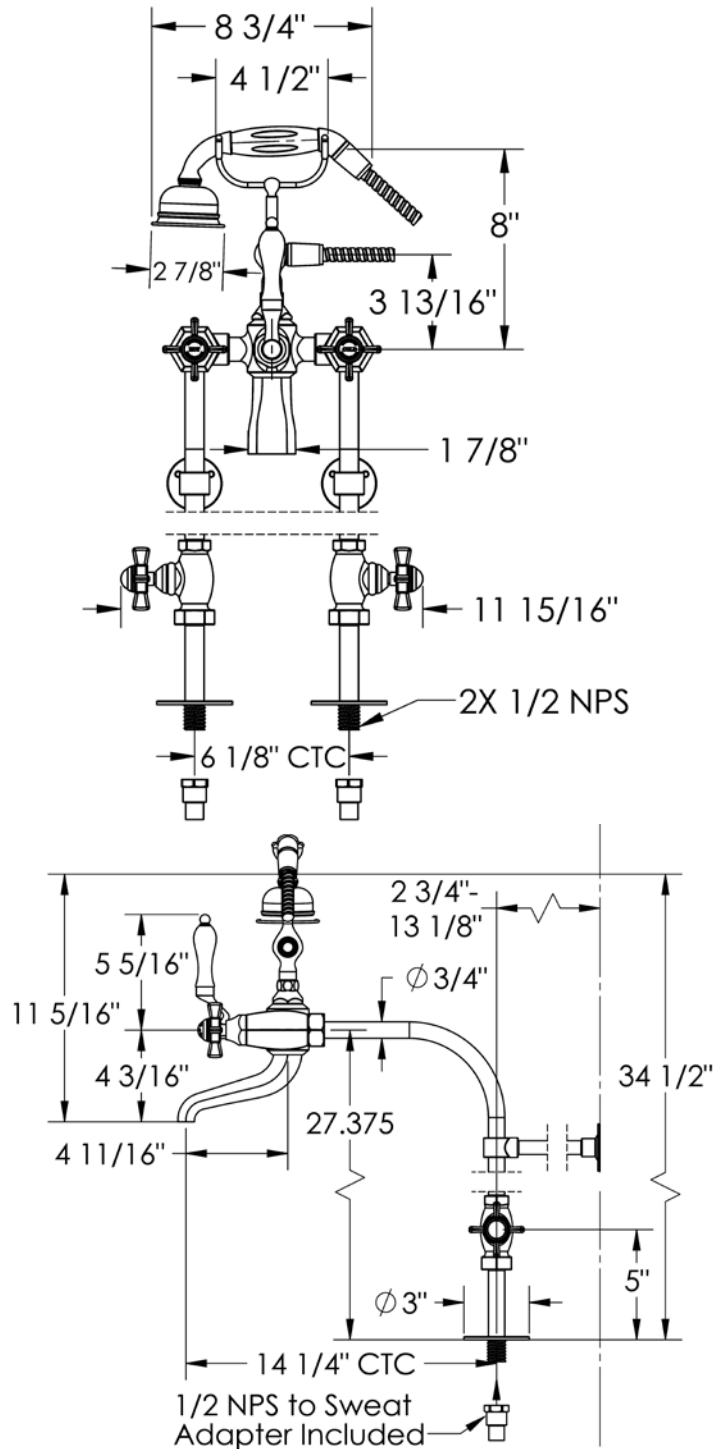
### Floor Mounted Elevated Tub Filler with Handshower

Includes hot and cold supply valves

12 GPM @ 45 PSI (Tub)

2.5 GPM @ 45 PSI (Handshower)

Note: Some building codes require remote pressure balance valves for anti-scald



# WATERMARK DESIGNS

350 Dewitt Ave Brooklyn NY 11207 USA T 718 257 2800 F 718 257 2144 info@watermark-designs.com