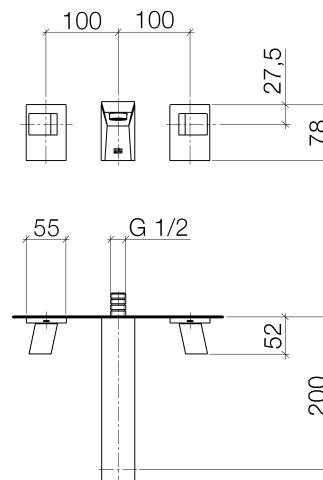




Product specifications

Exposed trim parts only, rough to be ordered separately

- **7 7/8" projection**
- Fixed spout 1/2"
- M 24 x 1 aerator – male thread
- 2x xControl ceramic disc cartridges, stem can be cut to length 1/2"
- Water flow rate limited to max. 1.5 gpm
- low lead compliant
- 3 1/8" x 2 1/8" flange
- **Spout in center, handle arrangement symmetrical**





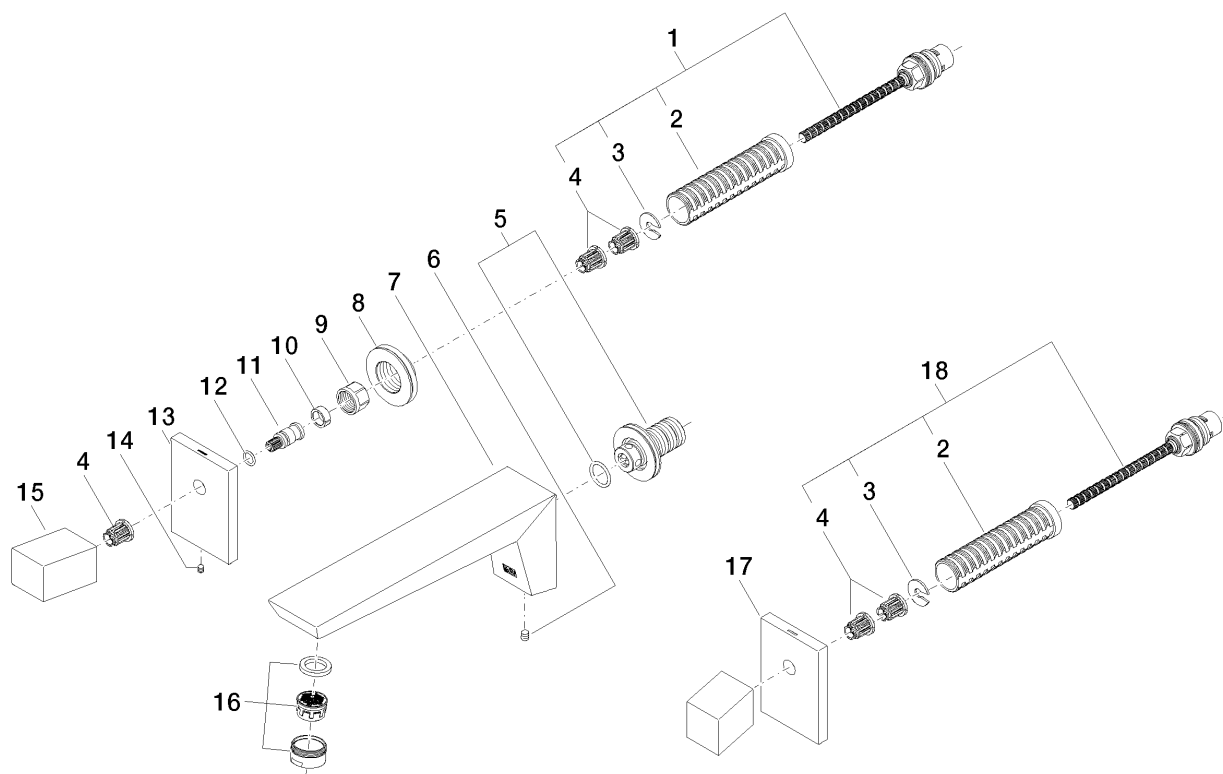
Surfaces

- chrome 36707730-000010
- chrome 36707730-000010
- champagne 36707730-470010
- champagne 36707730-470010

Accessories required

- Rough, spout in the center; 35707970
- Rough, spout in the center; 35707970
- Rough, flexible positioning; 35712970
- Rough, flexible positioning; 35712970
- Rough, spout in the center; 35713970
- Rough, spout in the center; 35713970

Exploded assembly drawing



Order quantity

| No. | Article number | Name | Installation quantity |
|------------|-----------------------|-------------|------------------------------|
| 1 | 0490031570090 | top | 1 |
| 2 | 09184007790 | sleeve | 2 |
| 3 | 09160102690 | ring | 2 |
| 4 | 09121200290 | fixing cap | 4 |
| 5 | 9024031080090 | nipple set | 2 |
| 6 | 09311100490 | pin | 1 |
| 7 | 09197300310ff | spout | 1 |
| 8 | 09210210890 | disc | 2 |
| 9 | 09233002390 | nut | 2 |
| 10 | 09141502090 | ring | 2 |
| 11 | 092906020ff | spindle | 2 |
| 12 | 09141006090 | seal | 2 |
| 13 | 092773008ff | rosette | 2 |
| 14 | 09311100790 | pin | 2 |
| 15 | 092073001ff | handle | 2 |
| 16 | 90230111803ff | aerator | 1 |
| 17 | 092773007ff | rosette | 1 |
| 18 | 0490031560090 | top | 1 |

