

FEATURES:

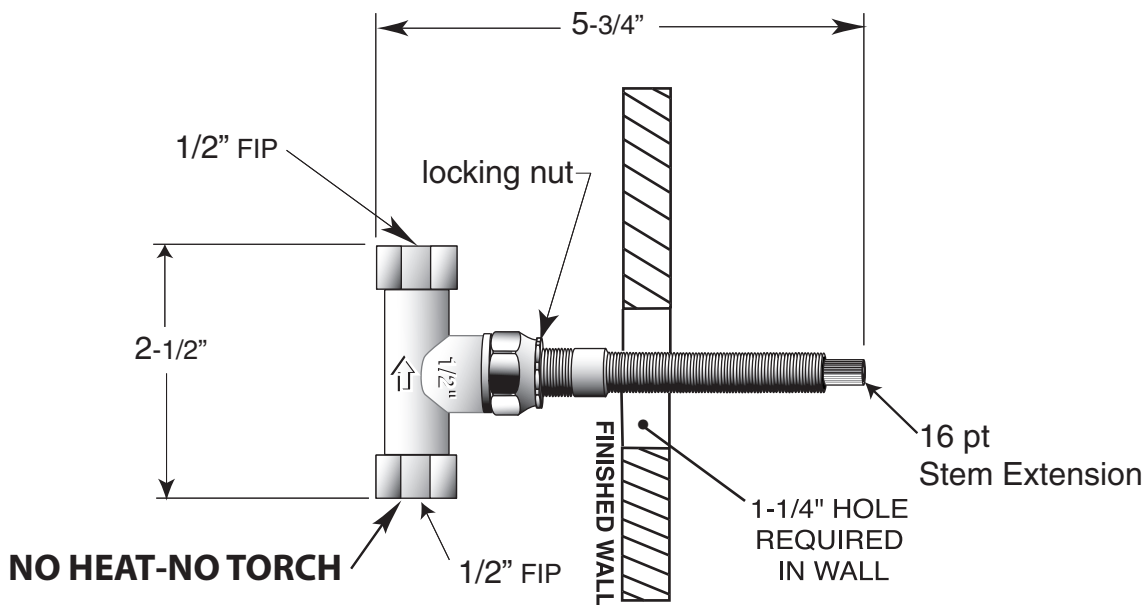
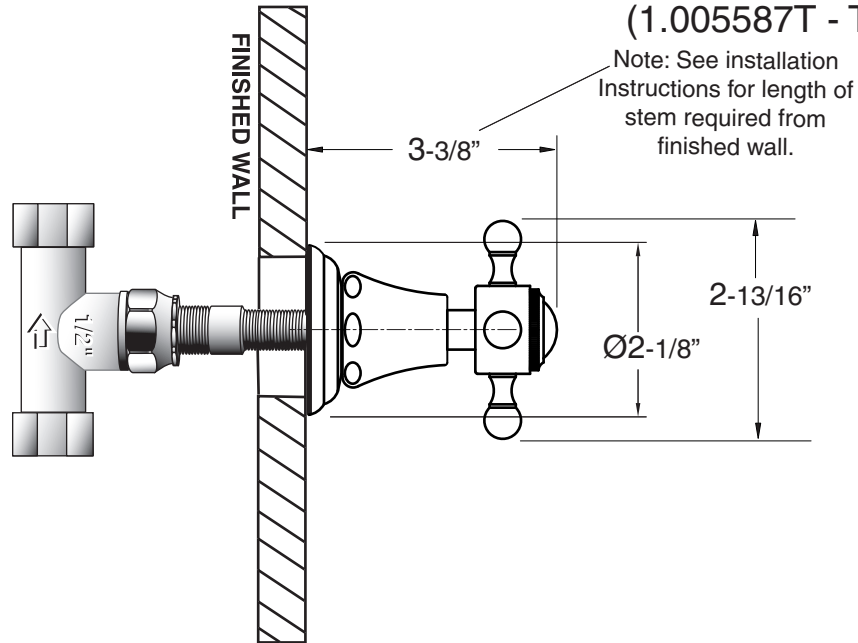
This product meets and exceeds the following codes and standards

- Meets: ASME A112.18.1-2005/CSAB125.1-2005
- Replacement Cartridge: No. 18.30.036

1/2" In-Line Shut-Off

Valve & Trim
1.005587
St. Michel Handle

(1.005587T - Trim Only)



Note: Measurements are subject to change or cancellation. No responsibility is assumed for use of superseded or voided pages.