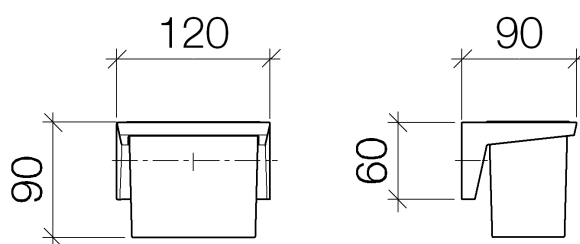




Product specifications

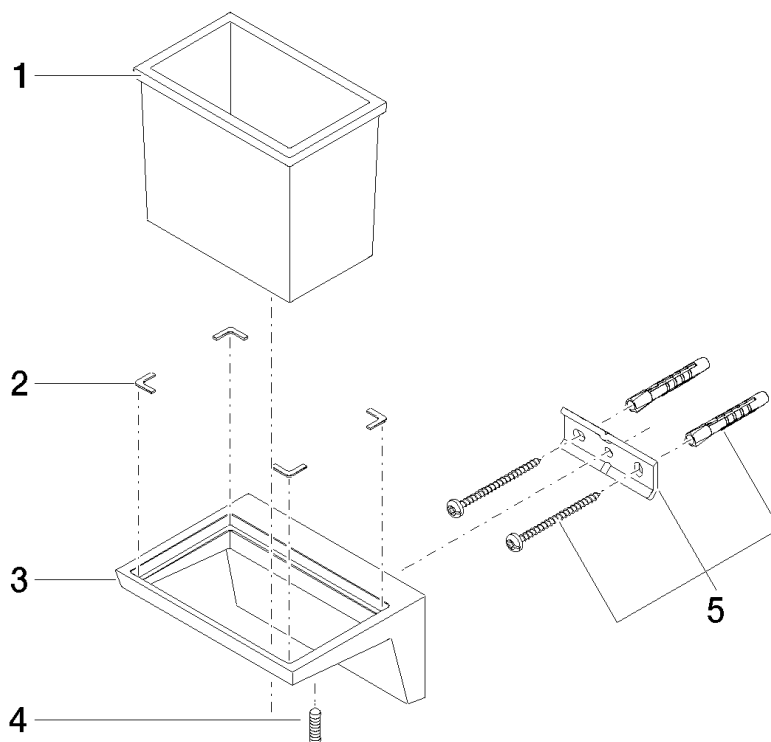
- Crystal glass
- Height 3 1/2"
- Width 4 3/4"
- 3 1/2" projection



Surfaces

- | | |
|-------------|-------------|
| • chrome | 83404730-00 |
| • chrome | 83404730-00 |
| • champagne | 83404730-47 |
| • champagne | 83404730-47 |

Exploded assembly drawing



Order quantity

No.	Article number	Name	Installation quantity
1	08900401282	container	1
2	08150150190	nipple	4
3	081773506ff	holder	1
4	09311111490	pin	1
5	0517207180090	fixing set	1