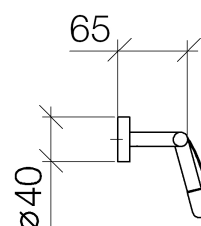
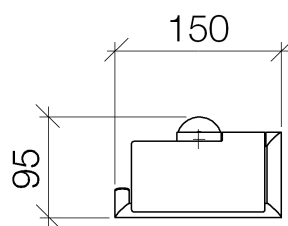




Product specifications

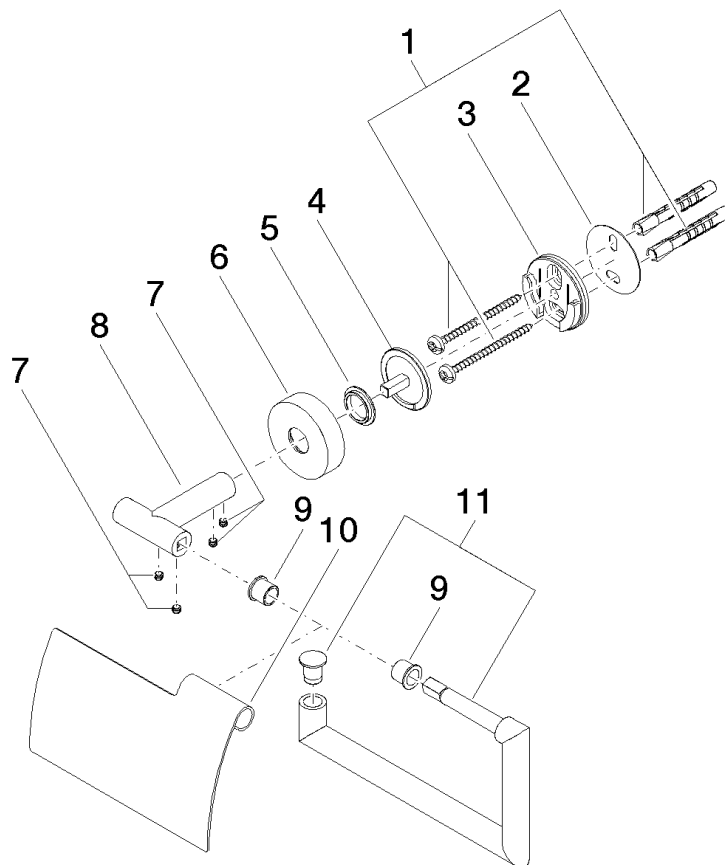
- Width 5 7/8"
- Height 3 3/4"
- Flange diameter 1 5/8"
- 1 5/8" projection



Surfaces

- | | |
|-----------------|-------------|
| • chrome | 83510979-00 |
| • chrome | 83510979-00 |
| • matt platinum | 83510979-06 |
| • matt platinum | 83510979-06 |

Exploded assembly drawing



Order quantity

No.	Article number	Name	Installation quantity
1	0530310250090	fixing set	1
2	08301151990	disc	1
3	08179750107	holder	1
4	08179755990	holder	1
5	08301151690	ring	1
6	082797500ff	rosette	1
7	09311103890	pin	4
8	05179756201ff	holder	1
9	08184050190	sleeve	2
10	081102514ff	lid	1
11	90282262800ff	holder	1