

Fuji

The Fuji 4040 is a great retreat for one person with its round bathing well, seat and square deck.

The Fuji 6040 is designed for two with an elongated bathing well, two seats and rectangular deck.

Available Sizes:

40"L x 40"W x 32"D
 65 Gallons

60"L x 40"W x 32"D
 90 Gallons

60"L x 40"W x 26"D
 75 Gallons



Gelcoat/Acrylic Tub – construction features

Acrylic models finished in 1/8" thick layer of deep lustrous acrylic

Gelcoat models finished in thick layer of deep lustrous Gelcoat.

Extra thick reinforced fiberglass

Pre-wired pump on pump platform (standard pump location only)

Integral E-Z Level platform facilitates installation.

Non-skid bottom.

PVC Systems – include:

6 or 8 Fully directional adjustable PVC jets

Anti-vortex safety suction.

Color matched system trim

HydroOzone ozone sanitation system

Rigid PVC piping

Self draining pump and system

Soft Touch electronic on/off control with 30-min. integral timer

2.25 HP Single Speed Pump

Cable waste & overflow

Hydro Systems – Options:

Available as Tub only, Thermal Air, Whirlpool or Combo

Microban Antibacterial Protection

Extra High Density Fiberglass

Armrest (AC only)

Flange molded (AC only)

Flange galvanized (GC only)

Custom jet and pump locations

Plated Metallic finish

Additional directional Jets

Swirling, Rotating, or Jumbo Jets

Micro Therapy Jet

Integral Waste & Overflow

1.5 HP Variable Speed Pump (digital temperature display optional)

Electronic low water protection

In-line Heater

Chromatherapy-LED Lighting System

Chromatherapy-LED Mini Spotlights

Mood Light

Grab Bars

Back Masseuse

Neck Masseuse Pillow

Hydro Fragrance

Hydro Fusion

Hydro Coat

Hydro Express quick ship

Approvals & Listings

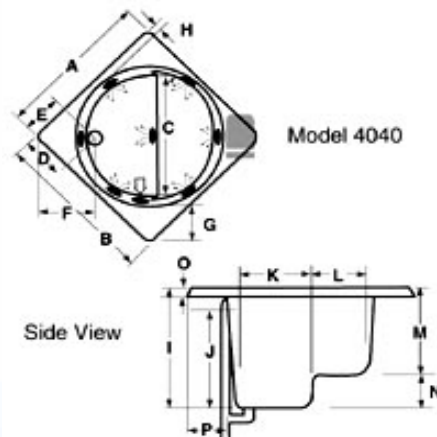
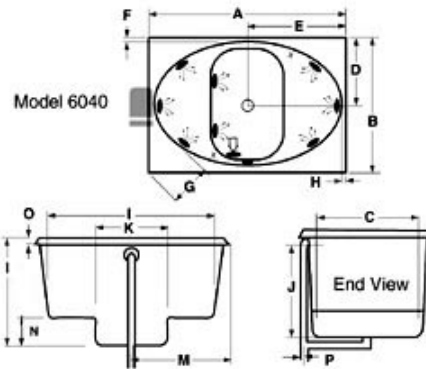
Commonwealth of Massachusetts
 UPC & USPC - US & Canada







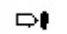

AC model shown

Must be set in Mortar Base

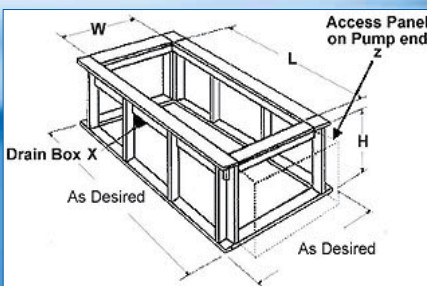


AS SHOWN:
Whirlpool option w/ standard jets

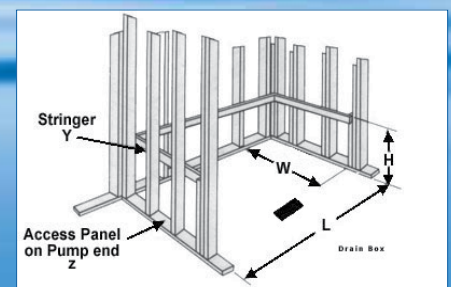
ALSO AVAILABLE:
Soaking Tub Only,
Thermal Air, Combo

-  Pump motor
-  Jets
-  Anti-vortex suction
-  Overflow location

Model	GC	AC	A	B	C	D	E	F	G	H	I	J	K	L	M	N	O	P	Jet	Pump	Wat.Cap.
4040		N/A	40"	40"	33"	10½"	10½"	15"	10¼"	2"	32"	29½"	16"	14"	23"	9"	1¾"	9"	6	2.25	65 gal.
6040		N/A	60"	40"	32"	20"	30"	2"	10½"	2"	32"	29½"	21½"	49"	30"	8"	1¾"	1½"	8	2.25	90 gal.
6040	N/A		60"	40"	26"	20"	30"	3"	13"	2"	26"	23½"	21"	48"	30"	9"	1¾"	2¾"	8	2.25	75 gal.
Amp Volt Breaker			Dedicated Service																		
13.5	120	20 amp	GFCI Protected																		



Disclaimer: Certain options or altering the pump/blower location may cause the pump/blower to extend beyond the tub decking. For cutout dimensions wait for unit to arrive. All specifications subject to change without notice.



Model	Island Drop-In			3 Wall Installation			
	(L)ength	(W)idth	(H)eight Finish	(L)ength	(W)idth	(H)eight Ledger	
						Metal Flange	Molded Flange
4040 GC	38½"	38½"	31¼"	40"	40"	31¼"	N/A
6040 GC	58½"	38½"	31¼"	60"	40"	31¼"	N/A
6040 AC	58½"	38½"	25¼"	60"	40"	N/A	26¾"