



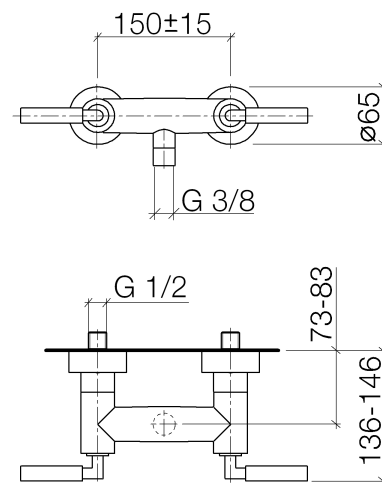
Product specifications

- Back flow preventer in shower outlet
- 1/2" ceramic disc cartridge
- 3/8" female or 1/2" male connection
- Flanges \varnothing 2 1/2"
- Required adaptors (2 x 35 080 970-90 0010) to be ordered separately
- Center to center 5 7/8"

Internal backflow preventer.

[ADA]

NOTE: Local building codes may require the use of an anti-scald device. Please refer to remote pressure balanced valve (35 910 970 90)



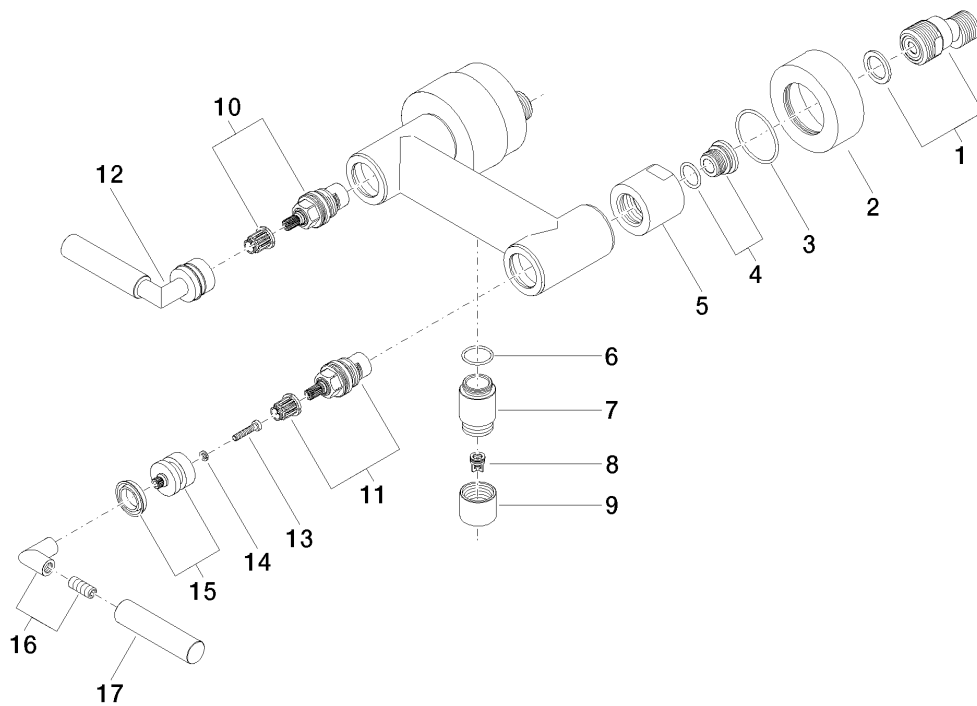
Surfaces

- chrome 26100882-00
- chrome 26100882-00
- matt platinum 26100882-06
- matt platinum 26100882-06
- platinum 26100882-08
- platinum 26100882-08
- matt white 26100882-10
- matt white 26100882-10
- matt black 26100882-33
- matt black 26100882-33

Accessories required

- Hand shower set; 26403892
- Hand shower set; 26403892
- Hand shower set; 26402892
- Hand shower set; 26402892

Exploded assembly drawing



Order quantity

No.	Article number	Name	Installation quantity
1	0411040300090	connection	2
2	092789103ff	rosette	2
3	09141003490	seal	2
4	0429050140090	nipple	2
5	092310064ff	nut	2
6	09141003290	seal	1
7	092403121ff	nipple	1
8	09230113190	back-flow preventer	1
9	092102143ff	sleeve	1
10	9090031310090	top	1
11	9090031300090	top	1
12	04208805200ff	handle	2
13	09303007590	screw	2
14	09301102990	disc	2
15	90121200700ff	base	2
16	04182002200ff	angle	2
17	092088052ff	handle	2