

SPECIFICATIONS

OPULENCE™ TWO HANDLE MINI-WIDESPREAD LAVATORY FAUCET

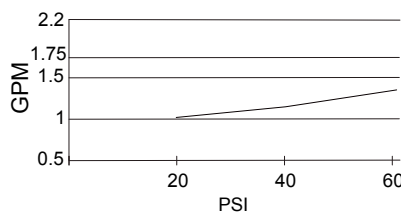
Model

D303057

Description

- Ceramic disc valves
- 7 1/2" high swivel spout, 6 1/4" spout length
- Laminar flow
- 360° spout swivel
- With metal touch-down drain assembly
- 3 hole mount, 4" - 8" installation
- 1.5gpm (5.7L/min) maximum flow rate @60 psi

Flow Rate



Standards



NSF/ANSI 372

• NSF/ANSI 372

MEETS ASME A112.18.1M/A112.18.1

• ASME A112.18.1M/A112.18.1



• ADA Accessibility Guidelines for Buildings and Facilities - 309.4 Operation for Operable Parts

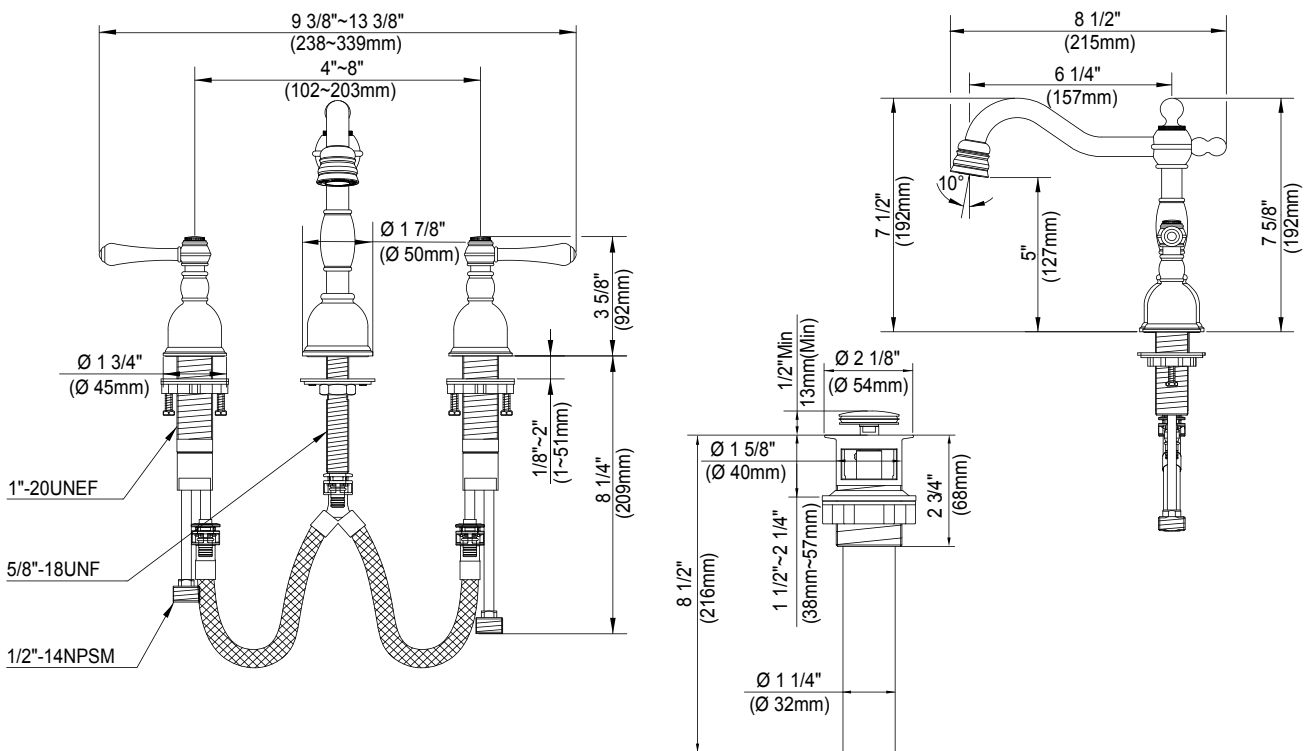


Finishes Available

- Chrome
- Other: Refer to Price List for additional finish

Warranty

Danze products are covered by a manufacturer's limited "lifetime" warranty for manufacturing defects.



Submittal Information:

Job Name: _____

Location: _____

Contractor: _____

Contact #: _____