

# SMALL COPPER LAVATORY BOWL

Cat. No.  
6712



W: 12"  
D: 12"

## Features:

- ▶ 18 Gauge Meta
- ▶ Undermount
- ▶ Round
- ▶ Includes Overflow and Drain Opening for Standard 1 1/4" Drain Fitting
- ▶ Also Available as Self-rimming (#6713)
- ▶ Copper is a Living Finish and will Patina Over Time
- ▶ Pewter will Not Patina Under Normal Circumstances

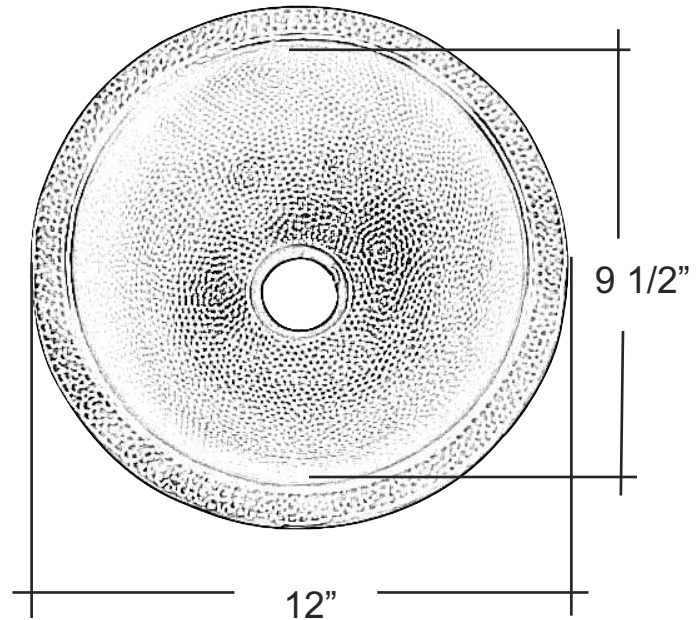
## Finishes:

**AC** Hammered Antique Copper  
**PE** Hammered Pewter

**Compliance Certification**  
Material is consistent with  
UNS C81100 Copper Casting  
Alloy with respect to chemical  
composition.

## Interior Dimensions:

Basin Interior: 9 1/2" diameter  
Basin Depth: 4 3/4"



Dimensions of fixture are nominal and may vary. Dimensions and specifications subject to change without notice.