



Floor-mount tub filler with hand shower
CS33XX



Specifications

Descriptions

- 1/2" inlet male NPT
- Double check valve
- 2 parts: rough and trim
- 1-jet hand shower/scale-free
- 2 ceramic cartridges

Available colors

- BN : Brushed nickel (PVD)

Available flows

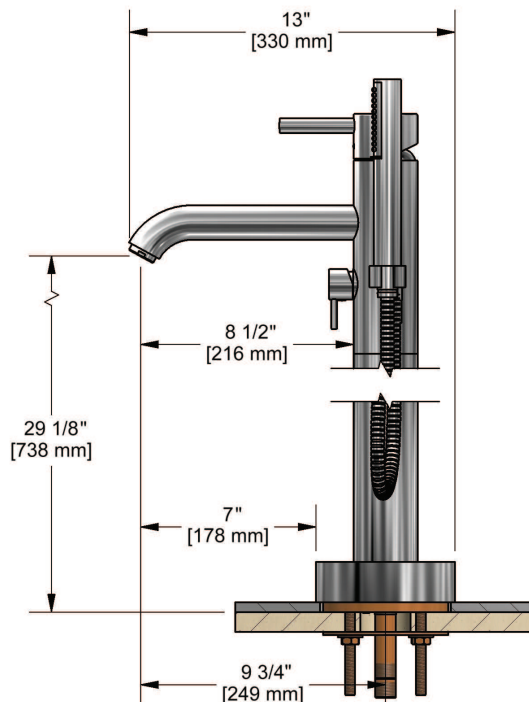
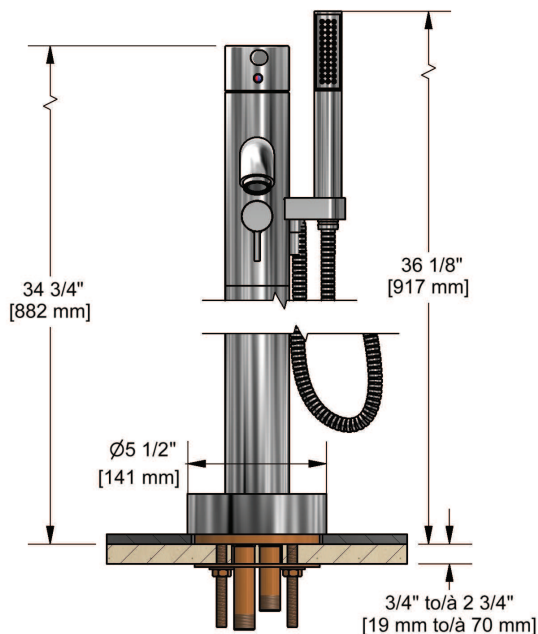
- 46 L/min, 12 gpm (US) 60psi

Cartridges

- 401-039
- 401-005

Certifications

- CSA B125.1
- ASME A112.18.1
- CMR248 Approval



Sizes, models and finishes may differ from those presented.

Warranty

The Riobel inc. product carries a limited LIFETIME warranty on the finish Chrome, Gold (PVD), Brushed nickel (PVD), Night brushed (PVD), Polished nickel (PVD) and all working parts and is guaranteed from the initial date of purchase against all manufacturing defects. Other finished 1 year.

Customer Service

Ontario, West Canada : 888-287-5354 Quebec, Maritimes, United States : 866-473-8442