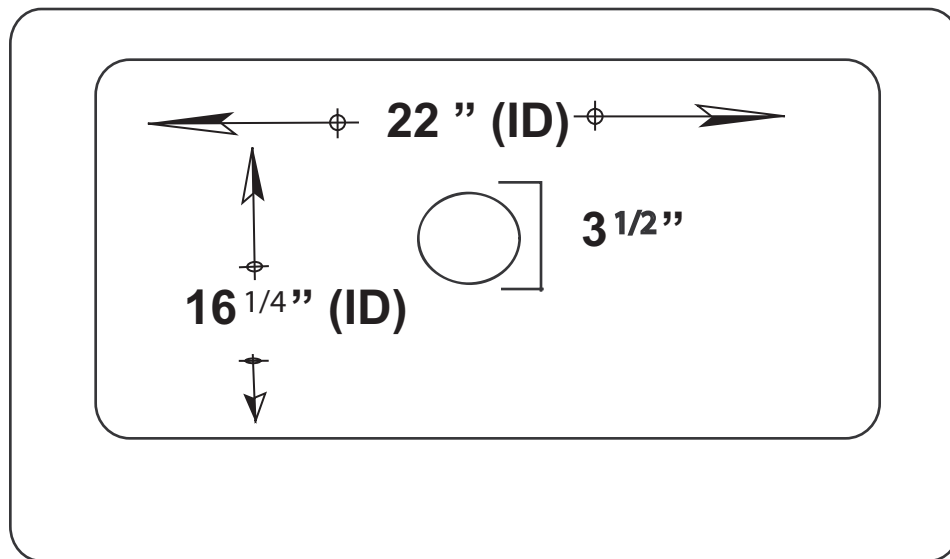


Elite Bath

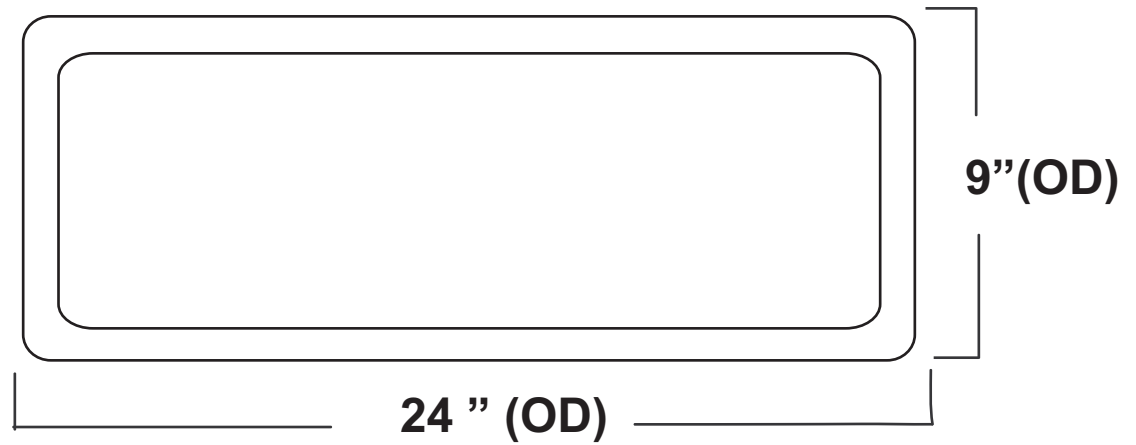
Chameleon Mini Model # FS24

Specifications Sheet

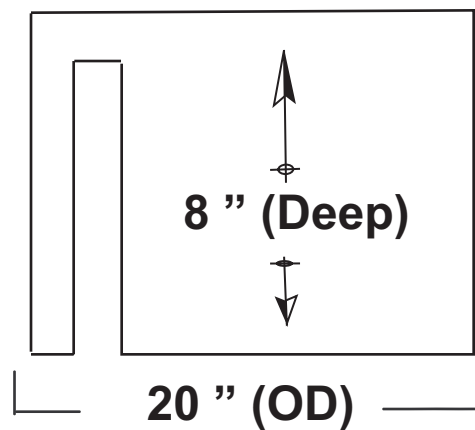
Top



Front



Side



129 lbs.