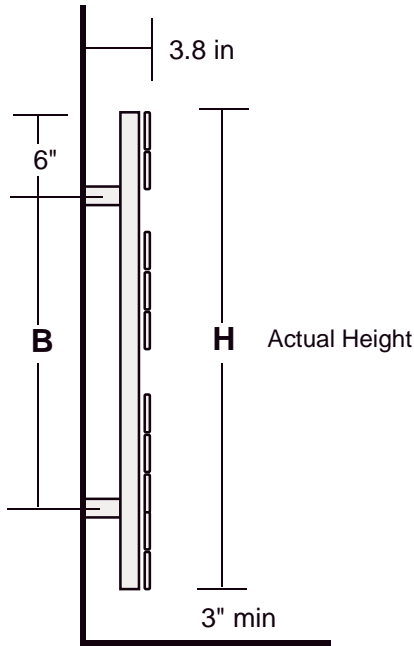
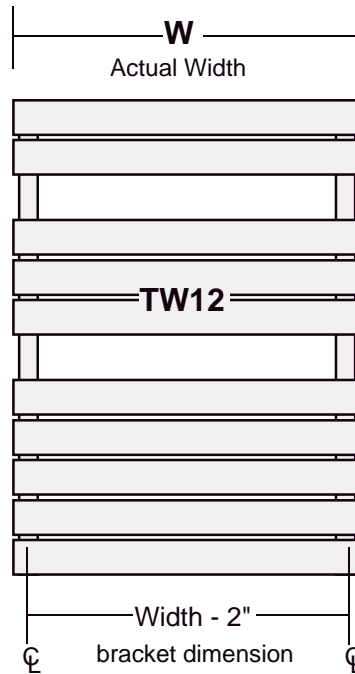


# Electric Omnipanel Specifications

Side View Piping Dimensions



Front View Piping Dimensions



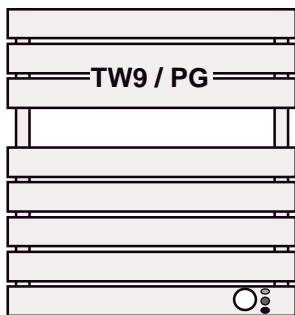
Model	H	B
TW9	26.1 in	14.6 in
TW12	34.8 in	23.4 in
TW15	43.6 in	32.1 in

**H** = Height Dimension

**W** = Width Dimension of 16" or 24"

**B** = Bracket to Bracket Dimension

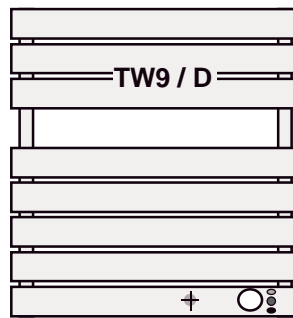
Plug-in Rough-in



6 ft White Cord w/ GFCI Plug



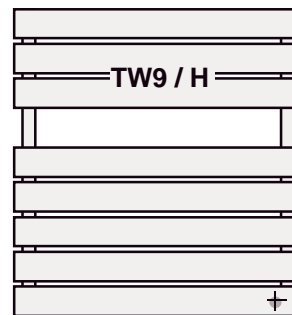
Direct-wire Rough-in



11-3/8"  $\varnothing$

12/2 Wire Rough-in Dimension

Hard-wire Rough-in



1-1/4"  $\varnothing$

12/2 Wire Rough-in Dimension

1-1/2"  $\varnothing$

1-1/4"  $\varnothing$

**Runtal North America, Inc.**  
 187 Neck Road  
 PO Box 8278  
 Ward Hill, MA 01835  
 1-800-526-2621  
 In Canada: 1-888-829-4901  
 Fax 1-978-372-7140  
<http://www.runtalnorthamerica.com>  
[info@runtalnorthamerica.com](mailto:info@runtalnorthamerica.com)