

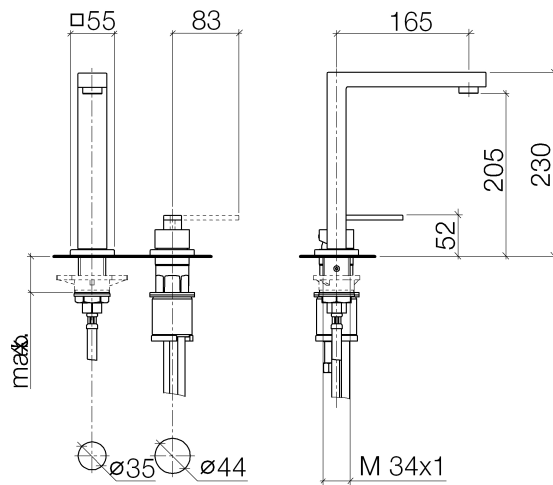


Product specifications

- **6 1/2" projection**
- Swivel spout 360°
- Total height 9"
- 8 1/8" height to aerator/spout outlet
- Single-lever-mixer hole diameter 1 3/4"
- Spout hole diameter 1 3/8"
- Aerator M 24 x 1 – male thread
- Ceramic disc cartridge
- M 10 x 1/2 flex line
- 2x M 10 x 1 x 16 1/2" high pressure hose
- Individual flanges 2 1/8" x 2 1/8"
- Water flow rate limited to max. 1.5 gpm
- low lead compliant

[ADA]

Flexible positioning of components



Kitchen

Lot BAR TAP, Two-hole mixer with individual flanges

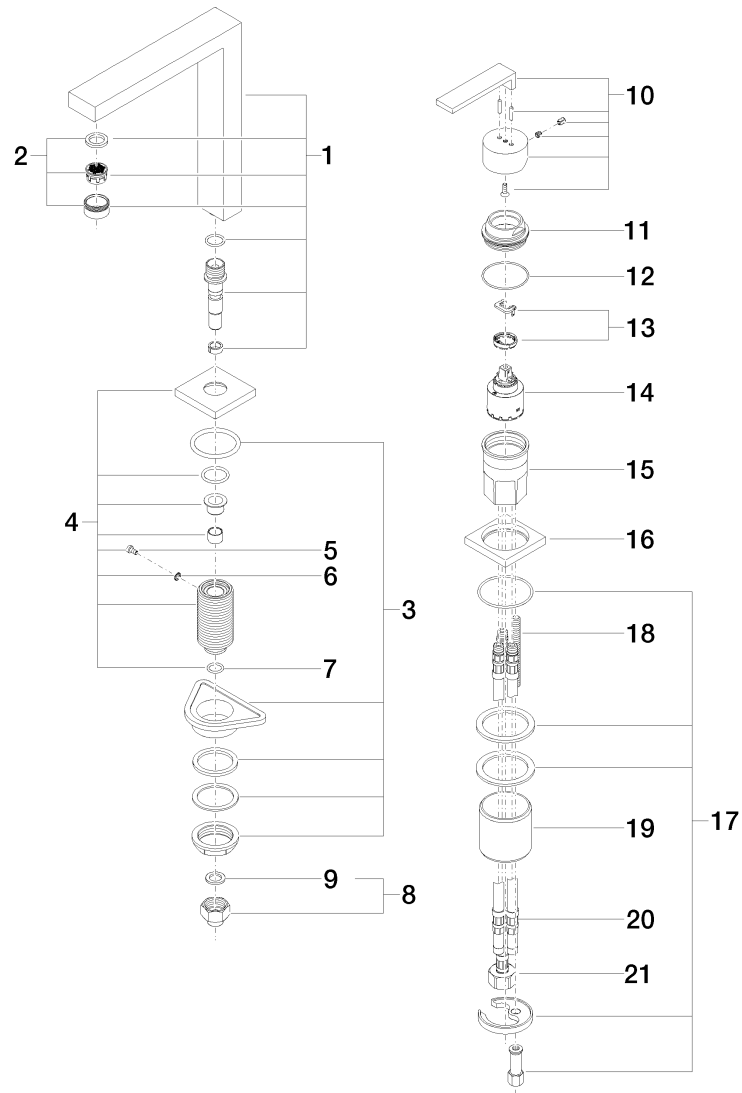
Article number: 32805680



Surfaces

- chrome 32805680-000010
- matt platinum 32805680-060010

Exploded assembly drawing



Order quantity

No.	Article number	Name	Installation quantity
1	90110619206ff	spout	1
2	90230102904ff	aerator	1
4	0423100440190	fixing set	1
4	90277802300ff	rosette	1
5	09303005790	screw	1
6	09301102890	disc	1
7	09141007790	seal	1
8	0424041661090	nipple	1
9	09142000290	seal	1
10	90207804000ff	handle	1
11	092404142ff	nut	1
12	09141003790	seal	1
13	0428101480090	accessories	1
14	09150503490	cartridge	1
15	0930011001090	sleeve	1
16	092778007ff	rosette	1
17	0430110380290	fixing set	1
18	09311101190	pin	1
19	09184007990	sleeve	1
20	0430040450090	hose	2
21	0430040190090	hose	1

Kitchen

Lot BAR TAP, Two-hole mixer with individual flanges

Article number: 32805680

