



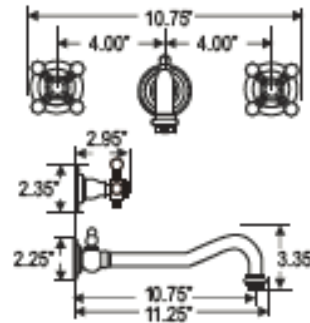
NSF/ANSI 61

ASME A112.18.1/CSA

B125. 1-11

Codes and Standards

- NSF/ANSI 61
- ASME A112.18.1/CSA B125. 1-11
- IAPMO US AND CANADA



ALTMANS RESERVES THE RIGHT TO MODIFY AND CHANGE SPECIFICATIONS AT ANY TIME. PLEASE VERIFY DIMENSIONS PRIOR TO INSTALLATION

Color/Finishes

- Polished Chrome, PVD Satin Nickel
- Refer to pricelist for other finishes.

Features and Benefits

- Brass Construction
- Flexible Connections
- 1/4 Turn Ceramic Disc Cartridges
- Includes 1/4" No overflow grid Drain
- Includes valve OWL8