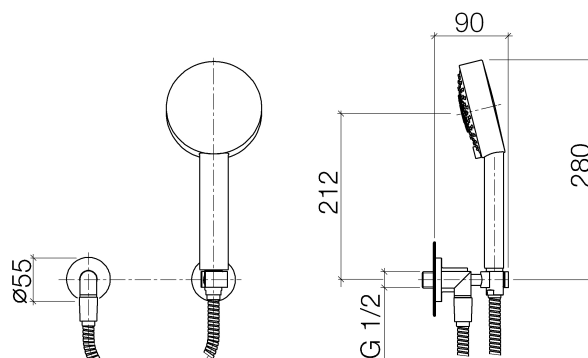




Product specifications

- Wall bracket
- Hand shower with three spray patterns (regular, soft and massage spray) with descaling system
- 49 1/4" shower hose with rotating hose connector
- Flange diameter 2 1/8"
- 1/2" wall elbow with back flow preventer
- Water flow rate limited to max. 2 gpm
Internal backflow preventer.



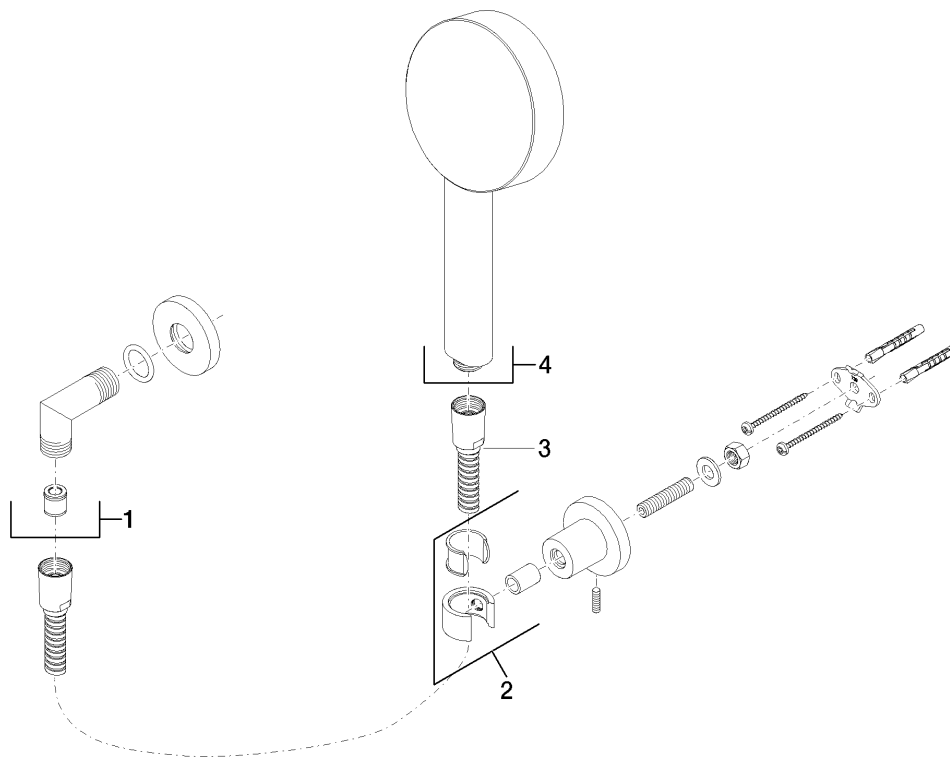
Surfaces

- | | |
|-----------------|-------------|
| • chrome | 27803892-00 |
| • chrome | 27803892-00 |
| • matt platinum | 27803892-06 |
| • matt platinum | 27803892-06 |
| • platinum | 27803892-08 |
| • platinum | 27803892-08 |
| • matt black | 27803892-33 |
| • matt black | 27803892-33 |

Accessories required

- Rough-in adaptor; 35080970
- Rough-in adaptor; 35080970

Exploded assembly drawing



Order quantity

No.	Article number	Name	Installation quantity
1	28450892ff	connection	1
2	28050892ff	holder	1
3	28104970ff	hose	1
4	28011979ff	shower	1

