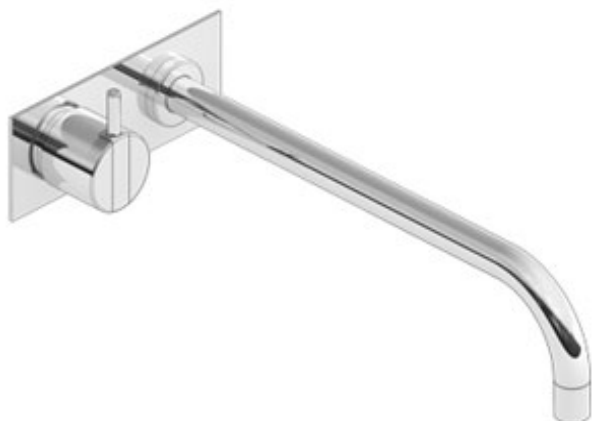


Date:

Client:

Project:

VOLA product: 122/300



**122/300**

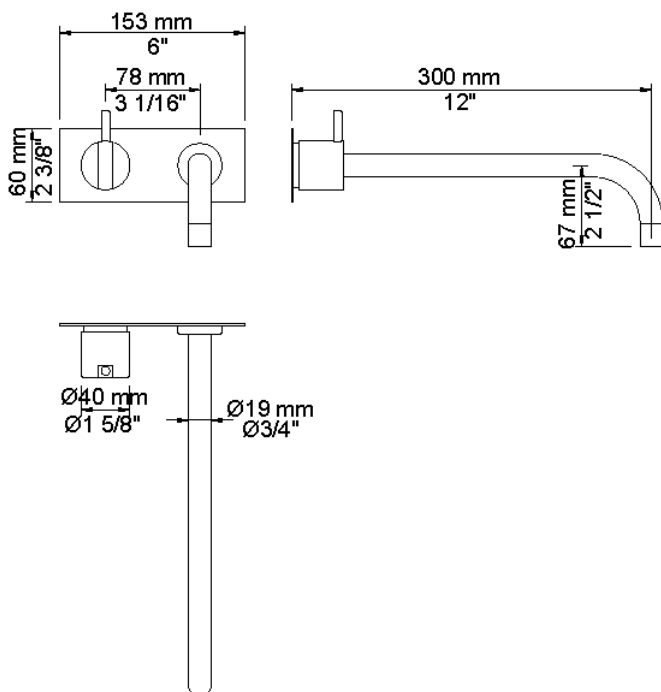
One-handle build-in mixer One-handle build-in mixer with ceramic disc technology.

122/300 UP = Mixer 100.

122/300 AP = Handle NR28, 300 mm spout 020/300, two-hole plate 60 x 153 mm 3002.

**Flow**

|         | <b>Bar:</b> | <b>1,0</b> | <b>2,0</b> | <b>3,0</b> | <b>4,0</b> | <b>5,0</b> |
|---------|-------------|------------|------------|------------|------------|------------|
| 122/300 | (l/min)     | 5,0        | 5,0        | 5,0        | 5,0        | 5,0        |



**Available in colours**

- Color 02, Grey
- Color 04, Light blue
- Color 05, Orange
- Color 06, Light green
- Color 08, Yellow
- Color 09, Dark grey
- Color 12, Mocca
- Color 14, Bright red
- Color 15, Dark blue
- Color 16, Polished chrome
- Color 17, Gloss black
- Color 18, White
- Color 19, Natural brass
- Color 20, Brushed chrome
- Color 21, Carmine red
- Color 25, Pink
- Color 27, Matt black
- Color 40, Brushed stainless steel

Date:

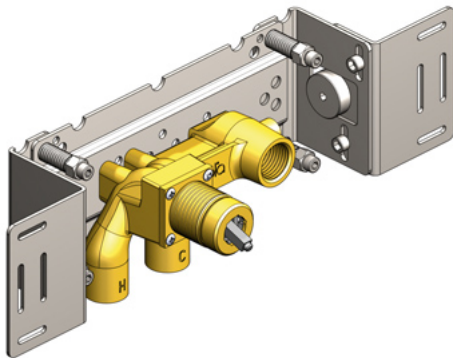
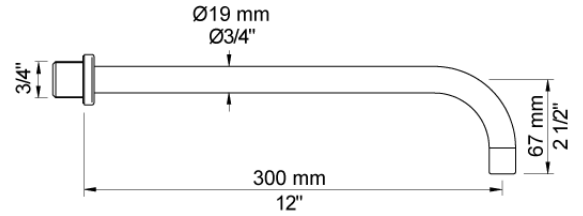
Client:

Project:

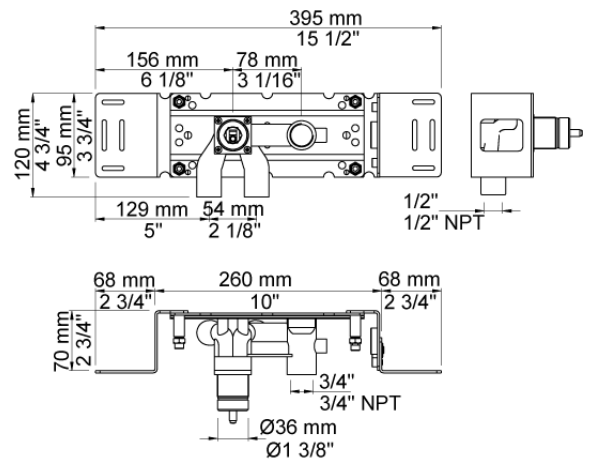
VOLA product: 122/300



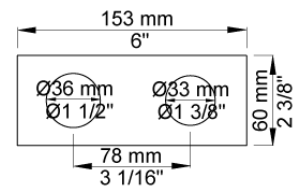
**020/300**  
300 mm fixed spout with water saving aerator.



**100**  
One-handle build-in mixer with fixed outlet socket.  
1/2" connection to copper, steel, iron or pex pipe work.



**3002**  
Two-hole plate, 60 x 153 mm.  
Holes Ø36 and Ø33 mm.



|  |
|--|
|  |
|--|

|       |
|-------|
| Date: |
|-------|

|         |
|---------|
| Client: |
|---------|

|          |
|----------|
| Project: |
|----------|

VOLA product: 122/300

