

# COLORADO

Towel Bar

## 26-01

Also 26-02

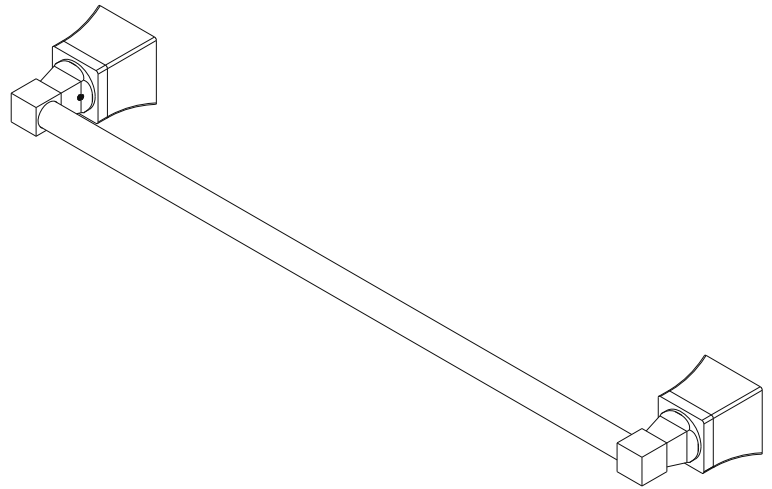
### Features

- Solid brass construction
- Complements Colorado product series

### Codes / Standards Compliance

Meets or exceeds the following at date of manufacture:

- All applicable US Federal and State material regulations



### Colors / Finishes

- 15: Polished Nickel
  - 15S: Satin Nickel
  - 26: Polished Chrome
  - ORB: Oil Rubbed Bronze
- Other: Refer to the Newport Brass catalog for additional color/finish options.

### Specified Model

Model	Description	Colors   Finishes				
26-01	18" Towel Bar	<input type="checkbox"/> 15	<input type="checkbox"/> 15S	<input type="checkbox"/> 26	<input type="checkbox"/> 10B	<input type="checkbox"/> Other
26-02	24" Towel Bar	<input type="checkbox"/> 15	<input type="checkbox"/> 15S	<input type="checkbox"/> 26	<input type="checkbox"/> 10B	<input type="checkbox"/> Other

### Product Specification: Add "Length Indicator and Color / Finish" suffix to Model number, below.

The Towel Bar shall be made of solid brass construction. Towel Bar shall complement Newport Brass Colorado product series. Towel Bar shall be Newport Brass Model 26-0\_\_/\_\_\_\_ .

# 26-01

## Product Dimensions *(units are in inches)*

