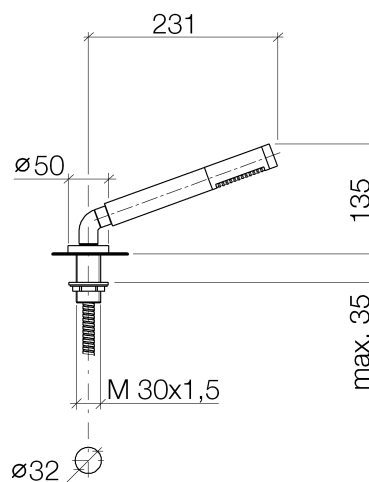




Product specifications

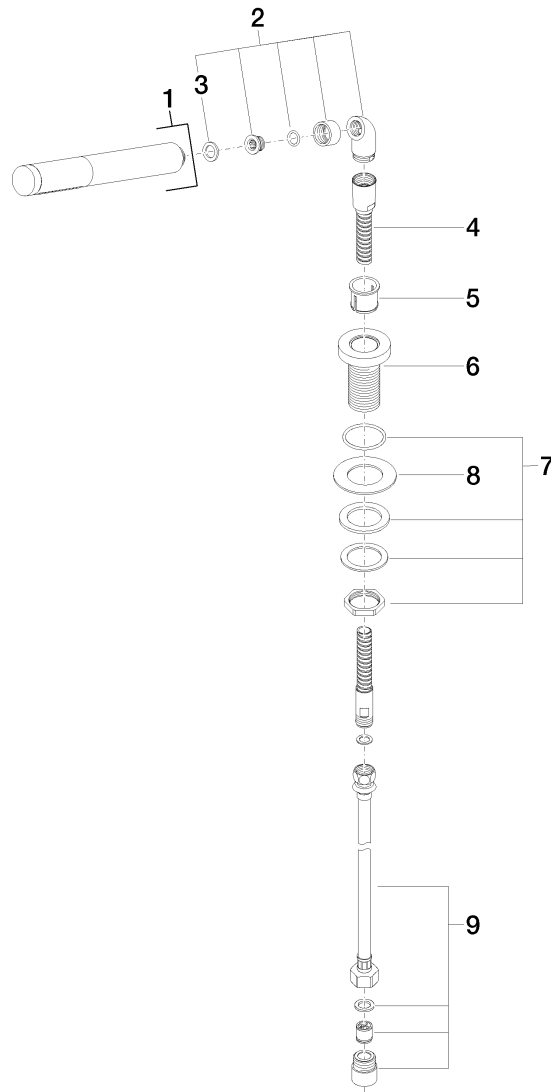
- Hand shower with descaling system and back flow preventer
- 1 1/4" hole diameter
- Metal shower hose 88 5/8", consisting of 1 pc. 19 5/8" chrome plated metal hose and 1 pc. 68 7/8" flex line
- Flange diameter 2"
- 20° x 1/2" x 1/2" angle
- Shower hose guide
- Water flow rate limited to max. 2.38 gpm (Two part hose design allows for servicing of finished hose from deck surface)



Surfaces

- | | |
|-----------------|-------------|
| • chrome | 27702979-00 |
| • chrome | 27702979-00 |
| • matt platinum | 27702979-06 |
| • matt platinum | 27702979-06 |

Exploded assembly drawing



Order quantity

| No. | Article number | Name | Installation quantity |
|------------|-----------------------|-------------|------------------------------|
| 1 | 28010979ff | shower | 1 |
| 2 | 04240418900ff | nipple | 1 |
| 3 | 09142000290 | seal | 1 |
| 4 | 28322970ff | hose | 1 |
| 5 | 09184008590 | sleeve | 1 |
| 6 | 093001085ff | rosette | 1 |
| 7 | 0430110386690 | fixing set | 1 |
| 8 | 09301106090 | disc | 1 |
| 9 | 1250597090 | hose | 1 |

