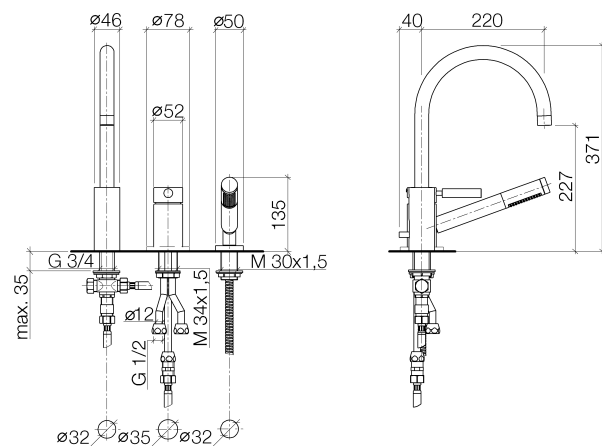




### Product specifications

- **8 5/8" projection**

- Swivel spout 180°
- M 22 x 1 aerator – female thread
- Back flow preventer in shower outlet
- Sleeve for cartridge screw
- 1x 1/2" copper pipe, 6 3/4"
- Automatic diverter
- xSTREAM ceramic disc cartridge
- Mud guard
- Hand shower with descaling system and back flow preventer
- Metal shower hose 88 5/8", consisting of 1 pc. 19 5/8" chrome plated metal hose and 1 pc. 68 7/8" flex line
- 3x compression connection 1/2" x 1/2"
- Flange for hand shower diameter 2"
- Total height 14 5/8"
- Height to aerator/spout outlet 9"
- Hole diameter spout/mixer 1 3/8"
- Hand shower hole diameter 1 1/4"





- 2x 1/2" copper pipe (cold/hot), 3 7/8"
- 20° x 1/2" x 1/2" angle
- Shower hose guide
- Hand shower water flow rate limited to max. 2.38

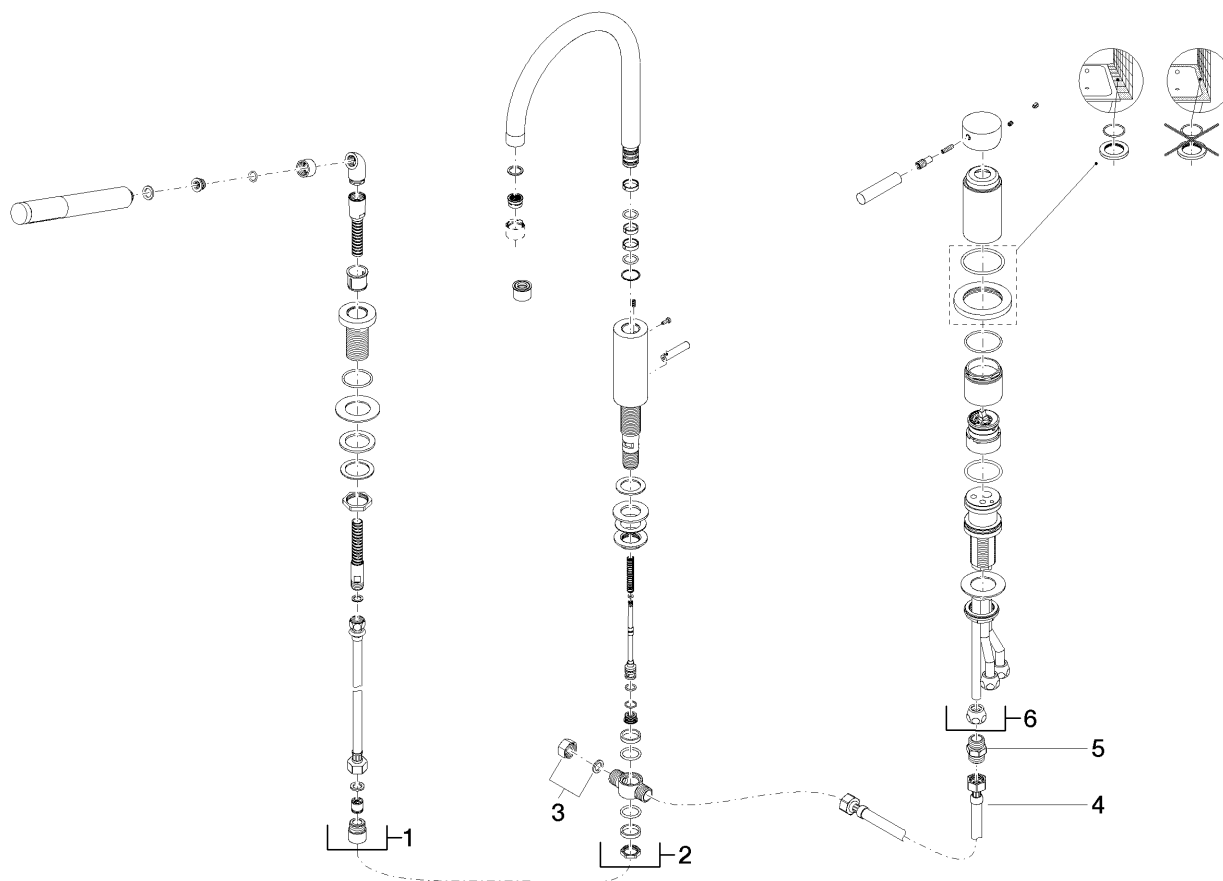
gpm

Optional flange included

### **Surfaces**

- |                 |             |
|-----------------|-------------|
| • chrome        | 27312885-00 |
| • chrome        | 27312885-00 |
| • matt platinum | 27312885-06 |
| • matt platinum | 27312885-06 |

**Exploded assembly drawing**



**Order quantity**

<b>No.</b>	<b>Article number</b>	<b>Name</b>	<b>Installation quantity</b>
1	27702979ff	shower set	1
2	13512885ff	spout	1
3	0421020060092	cap	1
4	1250297090	hose	1
5	0924031681090	nipple	1
6	29200885ff	connection	1