



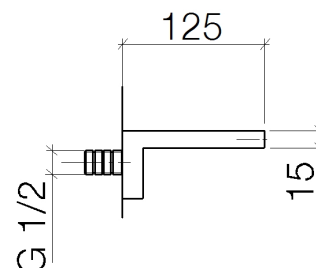
**Product specifications**

• **4 7/8" projection**

- Fixed spout
- low lead compliant
- Water flow rate limited to max. 1.3 gpm

The mounting height from the top edge of the sink to the center of the connection should be at least 5".

The front edge of the spout should be at least 7/8" in front of the back edge of the sink.



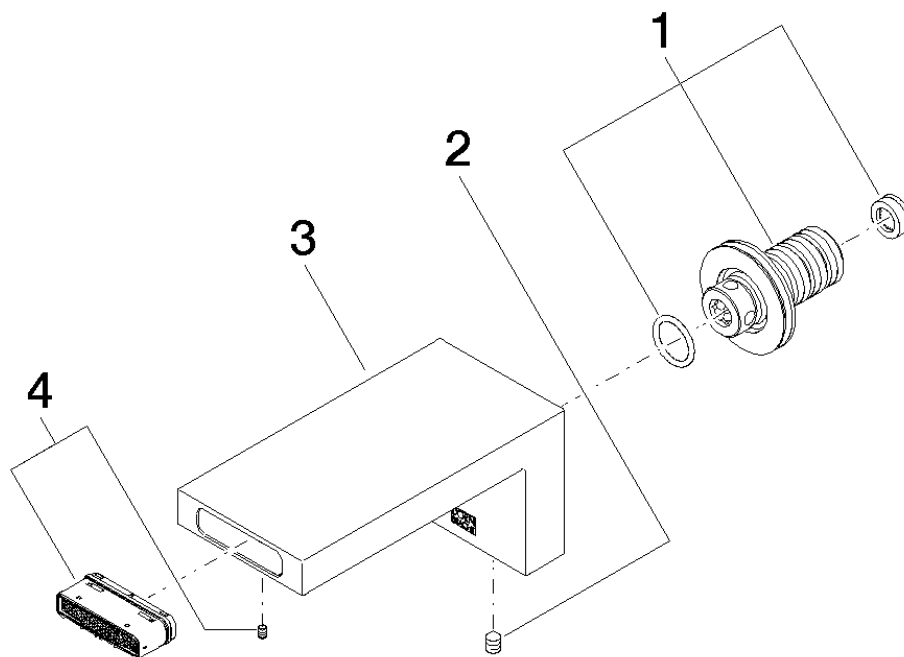
**Surfaces**

- |                 |             |
|-----------------|-------------|
| • chrome        | 13800740-00 |
| • chrome        | 13800740-00 |
| • matt platinum | 13800740-06 |
| • matt platinum | 13800740-06 |

**Accessories required**

- Rough-in adaptor; 35080970
- Rough-in adaptor; 35080970

**Exploded assembly drawing**



**5** — Ablaufgarnitur 04.11.01.038.00-ff

**Order quantity**

<b>No.</b>	<b>Article number</b>	<b>Name</b>	<b>Installation quantity</b>
1	9024031080090	nipple set	1
2	09311100490	pin	1
3	091174031ff	spout	1
4	9029030670090	aerator	1
5	10125970ff	pop-up waste	1

