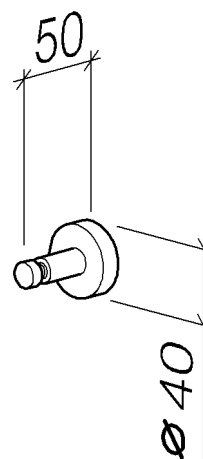




Product specifications

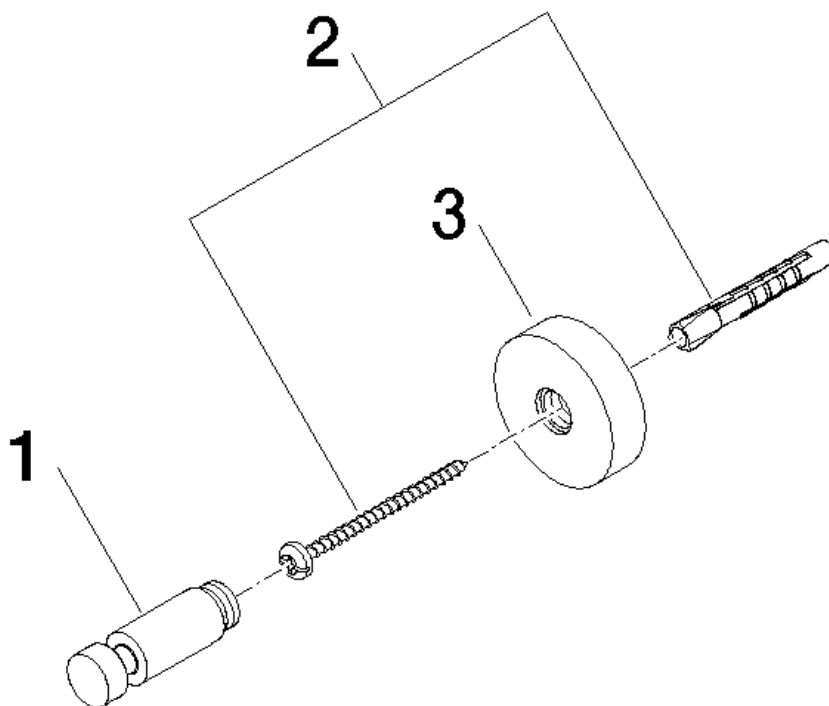
- Flange diameter 1 5/8"
- 2" projection



Surfaces

- | | |
|-----------------|-------------|
| • chrome | 83251979-00 |
| • chrome | 83251979-00 |
| • matt platinum | 83251979-06 |
| • matt platinum | 83251979-06 |

Exploded assembly drawing



Order quantity

No.	Article number	Name	Installation quantity
1	081860518ff	hook	1
2	0530310250090	fixing set	1
3	082797501ff	rosette	1